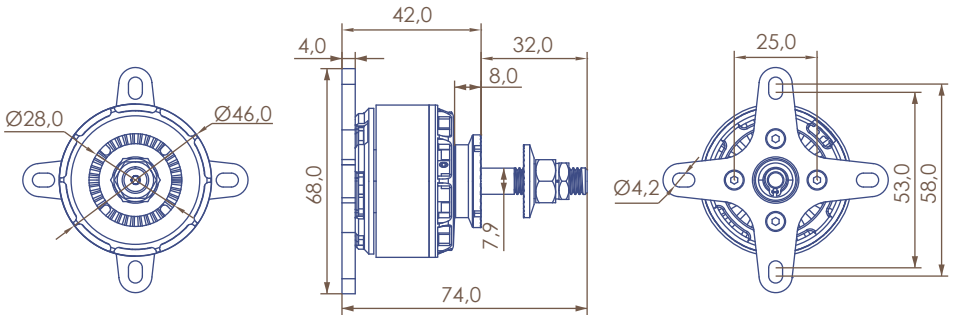


POWERED BY
DUALSKY



Dimensions

GA800



Specification

2nd Generation GA Series	GA800.7	GA800.11
SKU(商品编码)	51746	51747
KV(KV值)	850 RPM/V	550 RPM/V
Weight w/o accessories(不含配件重量)	160g	160g
Outer Diameter(直径)	46mm	46mm
Length w/ mounts(底板至桨平面长度)	42mm	42mm
Length(overall)(长度)	74mm	74mm
Diameter of Shaft(轴径)	5mm(internal), 8mm(output)	5mm(internal), 8mm(output)
Mounting holes pitch(安装孔距)	53mm to 58mm(D4.2)	53mm to 58mm(D4.2)
Slots,Poles(槽数, 极数)	24, 28	24, 28
Idle Current(Io) @10V(空载电流)	2.5A	1.3A
Resistance(Ri)(电阻)	18.3 mOhm	42.7 mOhm
Nominal Voltage(V)(额定电压)	14.8V, 4S Lipo	22.2V, 6S Lipo
Peak power[15s](峰值功率)	800W	1000W
Bursts current[15s](最大电流)	50A	42A
Cruising power[8 mins](巡航功率)	400W	500W
Recommended ESC(调速器)	XC406ULT	XC406ULT
Propeller(螺旋桨配置)	12x6 for best efficiency 13x6.5 for pilots performance 14x7 for extreme thrust	12x6 for best efficiency 13x6.5 for pilots performance 14x7 for extreme thrust
Weight of sports airplane(运动飞机的重量)	Up to 2.0kg	Up to 2.2kg
Weight of 3D airplane(3D飞机的重量)	1.4 kg to 1.6kg	1.5 kg to 1.8kg
Applications(应用)	Designed for .30E class 3D airplane(48"-52" wingspan)	For .30E to .40E class 3D airplane(upto 55" wingspan)

GA800.7 (850KV)

14.8V Motor @ Optimum Efficiency 最佳效率点

48.05
A

13.96
V

10679
rpm

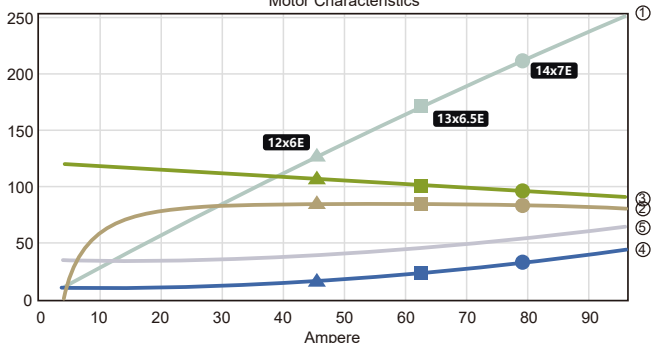
671
W

578.6
W

86.2
%

Motor Characteristics

- ① el. Power [in 5W]
- ② Efficiency [%]
- ③ max. Revolutions [in 100rpm]
- ④ waste Power [W]
- ⑤ Motor Case Temp. [°C]



Voltage (V)	Propeller (RPM)	Throttle (%)	Current (A)	Volage (V)	el. Power (W)	Efficiency (%)	Thrust (g)	Spec. Thrust (g/W)
14.8V (4S LIPO)	12X6E							
	4000	34	2.6	14.8	37.6	76.5	372	9.9
	4800	41	4.2	14.7	61.6	80.5	536	8.7
	5600	48	6.5	14.7	94.9	83	729	7.7
	6400	56	9.5	14.7	139.1	84.6	952	6.8
	7200	63	13.5	14.6	195.7	85.6	1205	6.2
	8000	71	18.5	14.5	266.6	86.2	1488	5.6
	8800	79	24.6	14.4	353.4	86.6	1800	5.1
	9600	87	32.2	14.3	457.8	86.7	2143	4.7
	10400	96	41.3	14.2	581.7	86.8	2514	4.3
	10742	100	46.1	14.1	645	86.2	2682	4.2
	13X6.5E							
	4200	36	4.2	14.7	61.3	82.2	574	9.4
	4900	43	6.5	14.7	94.8	84.3	781	8.2
	5600	49	9.6	14.7	139.5	85.6	1020	7.3
	6300	56	13.6	14.6	197	86.3	1290	6.6
	7000	63	18.7	14.5	269	86.7	1593	5.9
	7700	70	25	14.4	357.4	86.9	1928	5.4
	8400	78	32.7	14.3	464.1	86.9	2294	4.9
	9100	86	42.1	14.2	590.8	86.7	2692	4.6
	9800	94	53.4	14	739.6	86.5	3123	4.2
	10234	100	62.1	13.9	851.9	85.8	3405	4
	14X7E							
	3500	31	3.5	14.7	52	82.3	543	10.4
	4200	37	6	14.7	87.4	84.5	781	8.9
	4900	44	9.4	14.7	137	85.7	1064	7.8
	5600	51	14	14.6	203.2	86.2	1389	6.8
	6300	58	20.1	14.5	289	86.3	1758	6.1
	7000	66	27.9	14.4	396.9	86.2	2171	5.5
	7700	74	37.7	14.2	530	86	2627	5
	8400	83	49.8	14	691.1	85.6	3126	4.5
	9100	92	64.7	13.8	883.4	85.1	3668	4.2
	9661	100	80.2	13.6	1074.6	84.2	4135	3.8

GA800.11 (550KV)

22.2V Motor @ Optimum Efficiency 最佳效率点

36.8
A

21.28
V

10388
rpm

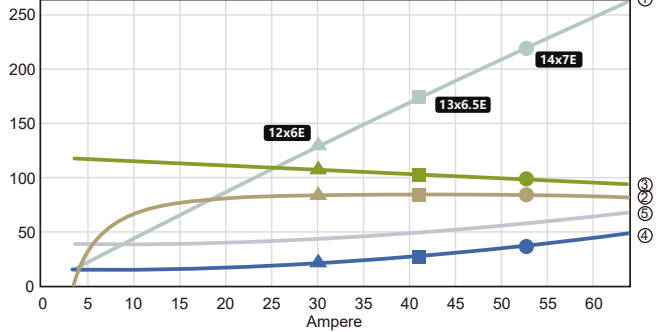
783.1
W

660.7
W

84.4
%

Motor Characteristics

- ① el.Power [in 5W]
- ② Efficiency [%]
- ③ max. Revolutions [in 100rpm]
- ④ waste Power[W]
- ⑤ Motor Case Temp. [°C]



Voltage (V)	Propeller (RPM)	Throttle (%)	Current (A)	Voltage (V)	el. Power (W)	Efficiency (%)	Thrust (g)	Spec. Thrust (g/W)
22.2V (6S LIPO)	12X6E							
	4000	35	1.7	22.2	37.9	75.8	372	9.8
	4800	42	2.8	22.1	62.5	79.5	536	8.6
	5600	50	4.4	22.1	96.5	81.7	729	7.6
	6400	57	6.4	22.1	141.7	83	952	6.7
	7200	65	9.1	22	199.7	83.9	1205	6
	8000	72	12.5	21.9	272.3	84.4	1488	5.5
	8800	80	16.6	21.8	361.3	84.7	1800	5
	9600	89	21.6	21.7	468.4	84.8	2143	4.6
	10400	97	27.7	21.6	595.4	84.8	2514	4.2
	10655	100	30.1	21.5	644.6	83.9	2639	4.1
	13X6.5E							
	4200	37	2.8	22.1	61.7	81.7	574	9.3
	4900	44	4.3	22.1	95.7	83.6	781	8.2
	5600	51	6.4	22.1	141	84.7	1020	7.2
	6300	57	9.1	22	199.2	85.3	1290	6.5
	7000	64	12.5	21.9	272.3	85.7	1593	5.9
	7700	72	16.6	21.8	362	85.8	1928	5.3
	8400	79	21.7	21.7	470.2	85.7	2294	4.9
	9100	87	27.9	21.6	598.8	85.6	2692	4.5
	9800	95	35.2	21.4	749.8	85.4	3123	4.2
	10229	100	40.8	21.3	864.7	84.3	3402	3.9
	14X7E							
	3500	31	2.4	22.1	52.1	82.1	543	10.4
	4200	38	4	22.1	87.8	84.2	781	8.9
	4900	45	6.3	22.1	137.7	85.3	1064	7.7
	5600	52	9.3	22	204.5	85.7	1389	6.8
	6300	59	13.3	21.9	290.9	85.8	1758	6
	7000	67	18.4	21.8	399.7	85.6	2171	5.4
	7700	75	24.8	21.6	533.8	85.3	2627	4.9
8400	83	32.6	21.5	696.1	85	3126	4.5	
9100	91	42.1	21.2	889.8	84.5	3668	4.1	
9735	100	53.3	21	1112.6	83.2	4198	3.8	