

Radio control model / Flugmodell
U.S NAVY DIVE BOMBER
SBD-5 DAUNTLESS



VQ No: VQA123

ALL Balsa, PLYWOOD CONSTRUCTION AND ALMOST READY TO FLY

Instruction manual / Montageanleitung

SPECIFICATIONS

Wingspan:.....2060mm (81.1in)
Length:.....1450mm (57 in)
Electric Motor:.....See next pager
Gas Engine:.....26-30cc
RTF Weight: 7Kg / 15.5lbs (Will vary with
Equipment Used).
Radio:.....7-8 Channel / 10-11 Servos
Function: Ailerons-Elevator-Rudder-Throttle
Flaps-Optional Retractable Landing Gear.

TECHNISCHE DATEN

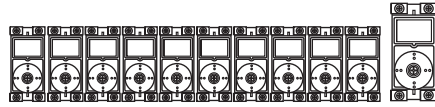
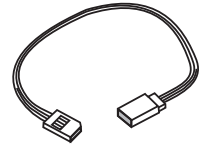
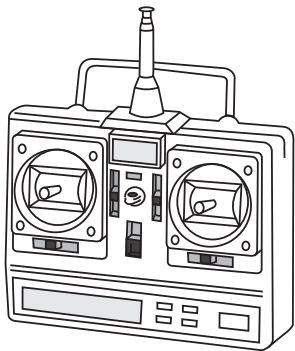
Spannweite:.....2060mm
Länge:.....1450mm
Elektroantrieb.....(siehe nächste Seite)
Verbrennerantrieb:.....26-30cc
Fluggewicht:.....7Kg
Fernsteuerung.....7-8 Kanal / 10-11 Servos



WARNING! This radio controlled model is NOT a toy. If modified or flown carelessly it could go out of control and cause serious human injury or property damage. Before flying your airplane, ensure the air field is spacious enough. Always fly it outdoors in safe areas and seek professional advice if you are unexperienced.

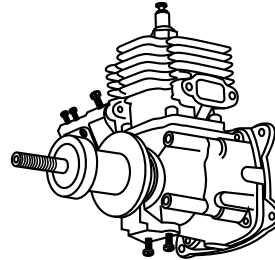
ACHTUNG! Dieses ferngesteuerte Modell ist KEIN Spielzeug! Es ist für fortgeschrittene Modellflugpiloten bestimmt, die ausreichende Erfahrung im Umgang mit derartigen Modellen besitzen. Bei unsachgemäßer Verwendung kann hoher Personen- und/oder Sachschaden entstehen. Fragen Sie in einem Modellbauverein in Ihrer Nähe um professionelle Unterstützung, wenn Sie Hilfe im Bau und Betrieb benötigen. Der Zusammenbau dieses Modells ist durch die vielen Abbildungen selbsterklärend und ist für fortgeschrittene, erfahrene Modellbauer bestimmt.

REQUIRED FOR OPERATION (Purchase separately)



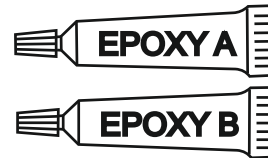
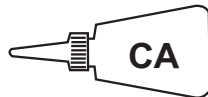
Minimum 7-8 channels radio with 10 mini servos and 1 standard Servo (for GP).
 .Motor control x1(for GP) .Elevator x2
 .Rudder x1. Aileron x2. Flap x3
 .Brake x2

Extension cord for aileron servos: 80cm(x2)
 Extension cord for flap and brake servos: 50cm(x4)
 Extension cord for retract servos: 30cm(x2)
 Extension cord for Rx battery pack: 30cm(x1)
 Extension cord for Elevator servos: 80cm(x2)



Gas engine:
26-30cc

GLUE (Purchase separately)

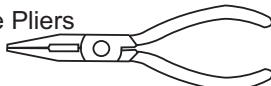


TOLLS REQUIRED (Purchase separately)

Hobby knife 


Phillip screw driver 

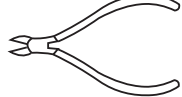
Hex Wrench 

Needle nose Pliers 

Scissors 

Awl 

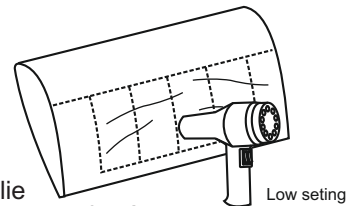
Sander 

Wire Cutters 


Masking tape - Straight Edged Ruler - Pen or pencil - Drill and Assorted Drill Bits


If exposed to direct sunlight and/or heat, wrinkles can appear. Storing the model in a cool place will let the wrinkles disappear. Otherwise, remove wrinkles in covering film with a hair dryer, starting with low temperature. You can fix the corners by using a hot iron.


Bei Sonneneinstrahlung und/oder Wärme kann die Folie erschlaffen bzw. Falten entstehen. Verwenden Sie ein Warmluftgebläse (Haartrockner) um evtl. Falten aus der Folie zu bekommen. Die Kanten können Sie mit einem Bügeleisen behandeln. Nicht zuviel Hitze anwenden !





Symbols used throughout this instruction manual, comprise:


 1.5mm Drill holes using the stated size of drill (in this case 1.5 mm)


 Take particular care here


 Hatched-in areas: remove covering film carefully

 Check during assembly that these parts move freely, without binding

 Use epoxy glue

 Apply cyano glue


 Assemble left and right sides the same way.

 Not included. These parts must be purchased separately

 1.5mm Löcher bohren mit dem angegebenen Bohrer (hier 1,5 mm)

 Hier besonders aufpassen

 Schraffierte Stellen, Bespannfolie vorsichtig entfernen

 Während des Zusammenbaus immer prüfen, ob sich die Teile auch reibungslos bewegen lassen

 Epoxy-Klebstoff verwenden

 Sekundenkleber auftragen

 Linke und rechte Seite wird gleichermaßen zusammgebaut

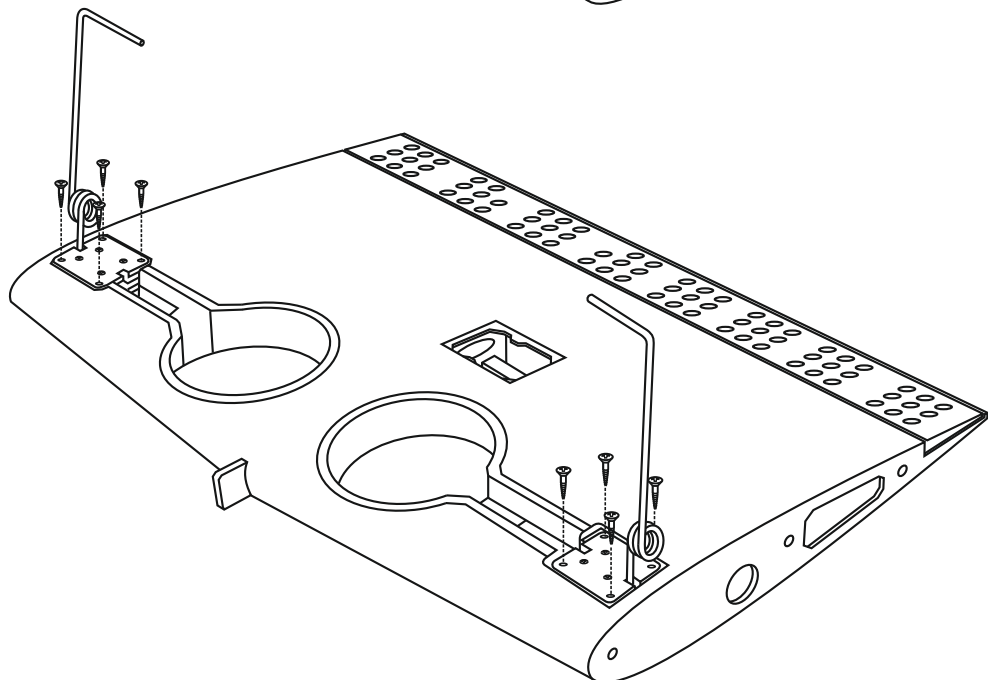
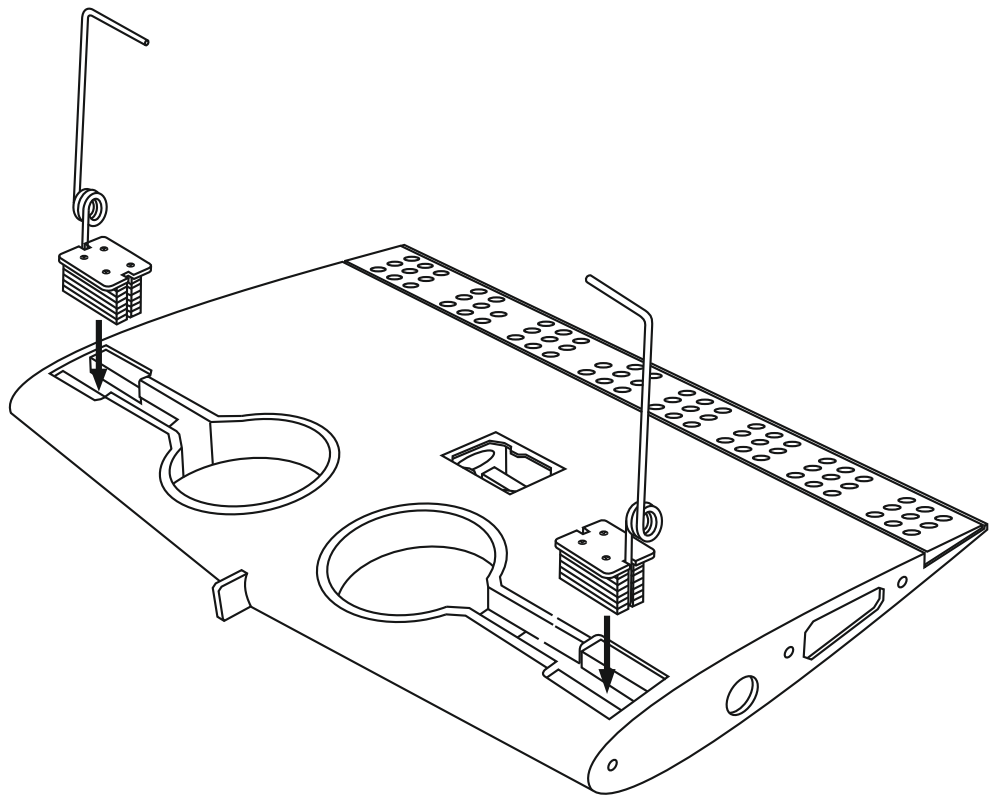
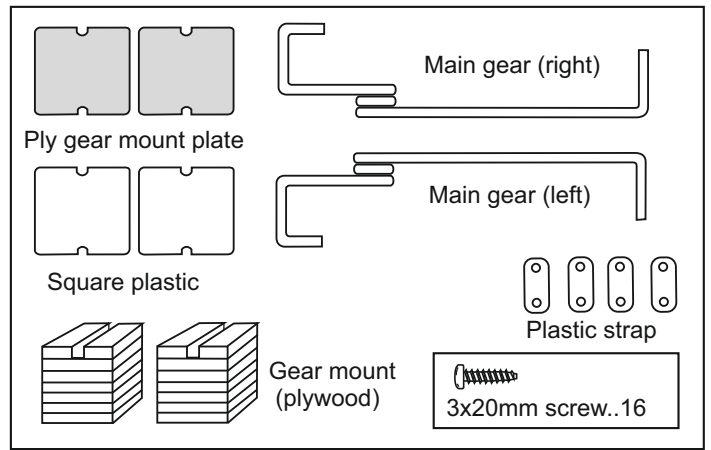
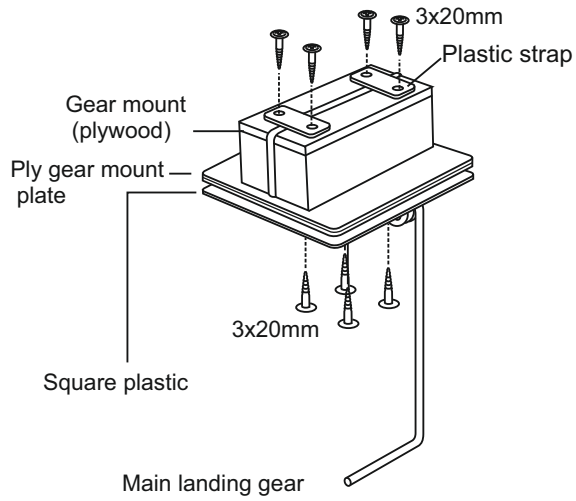
 Nicht enthalten. Teile müssen separat gekauft werden.

Read through the manual before you begin, so you will have an overall idea of what to do.

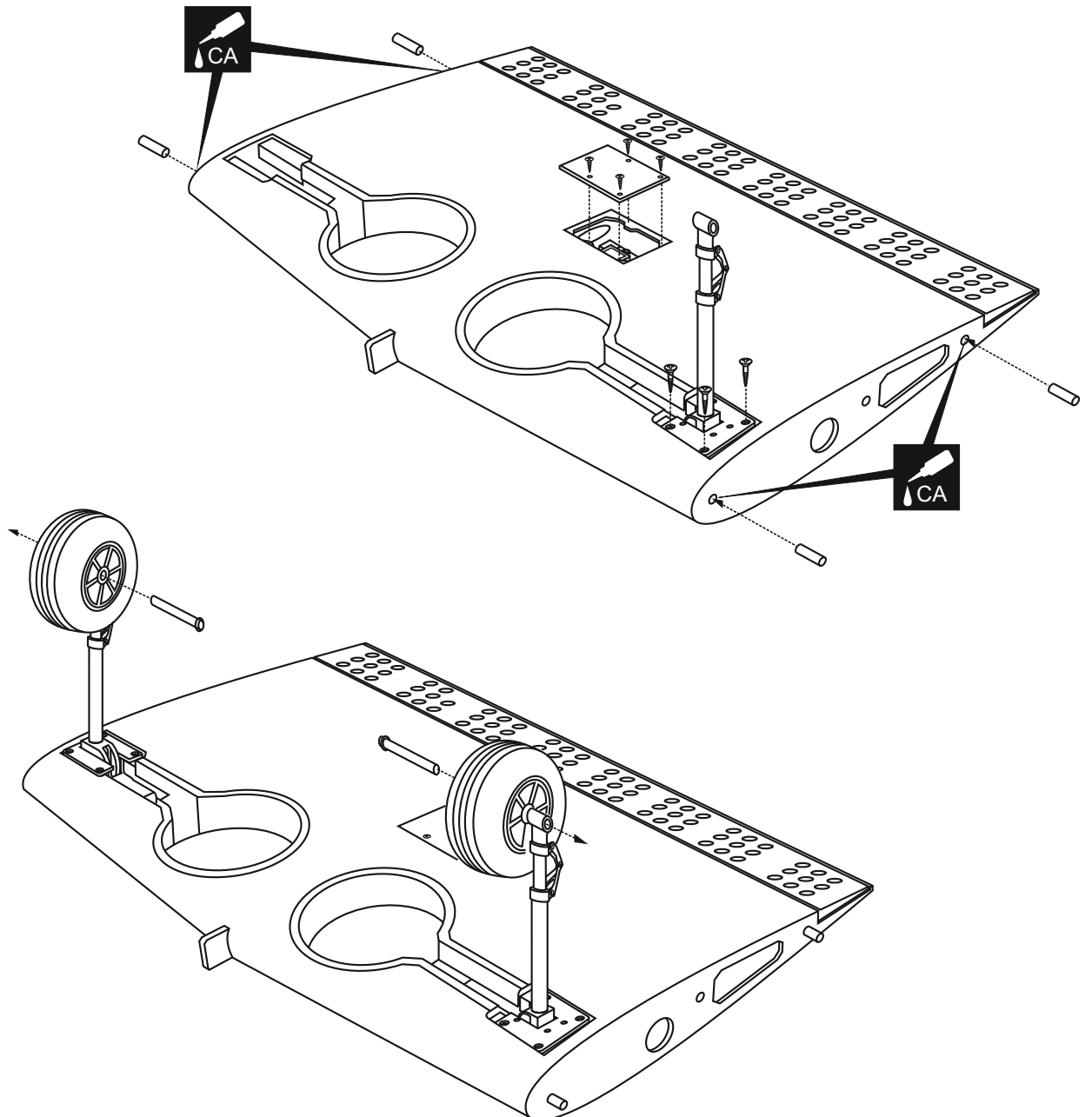
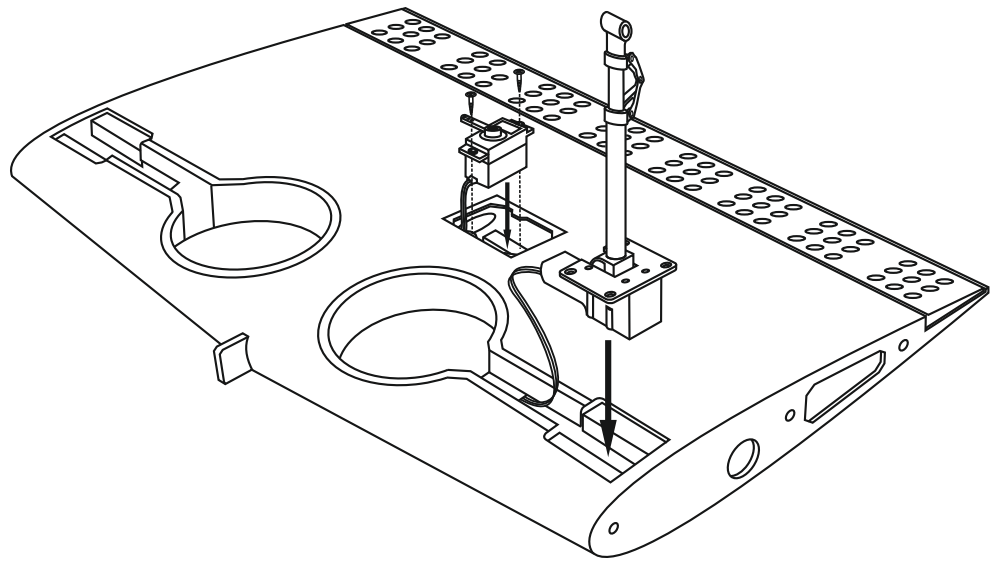
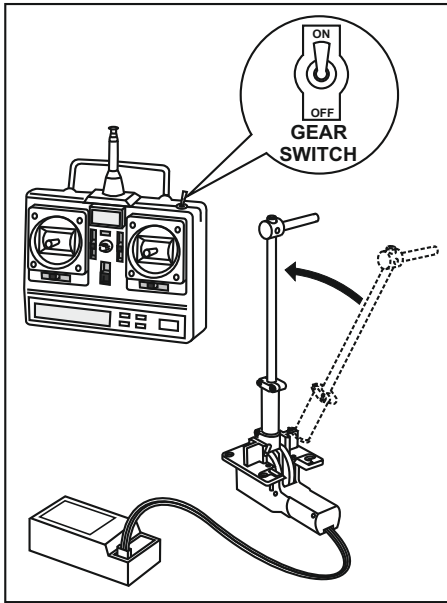
CONVERSION TABLE

1.0mm = 3/64"	3.0mm = 1/8"	10mm = 13/32"	25mm = 1"
1.5mm = 1/16"	4.0mm = 5/32"	12mm = 15/32"	30mm = 1-3/16"
2.0mm = 5/64"	5.0mm = 13/64"	15mm = 19/32"	45mm = 1-51/64"
2.5mm = 3/32"	6.0mm = 15/64"	20mm = 51/64"	

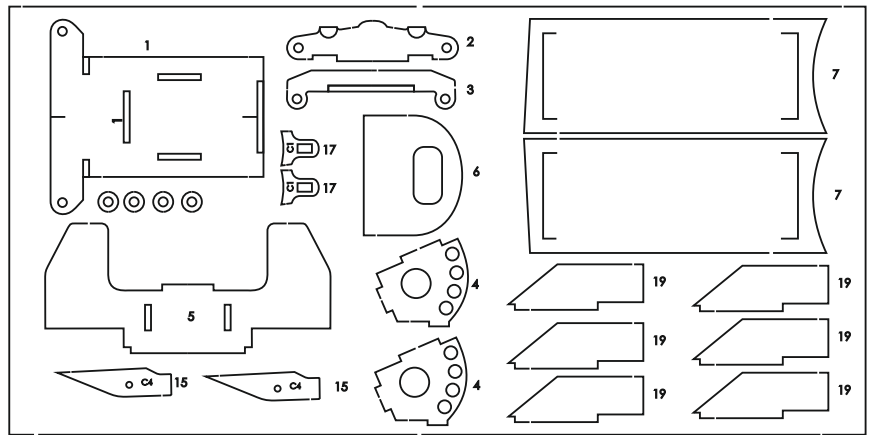
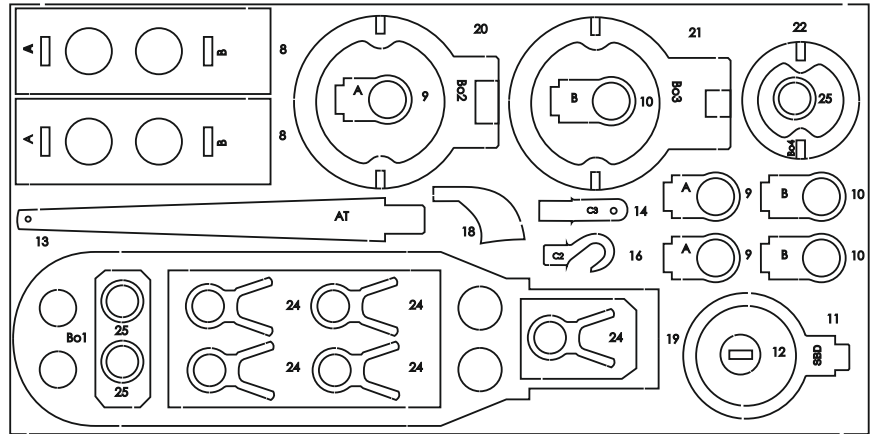
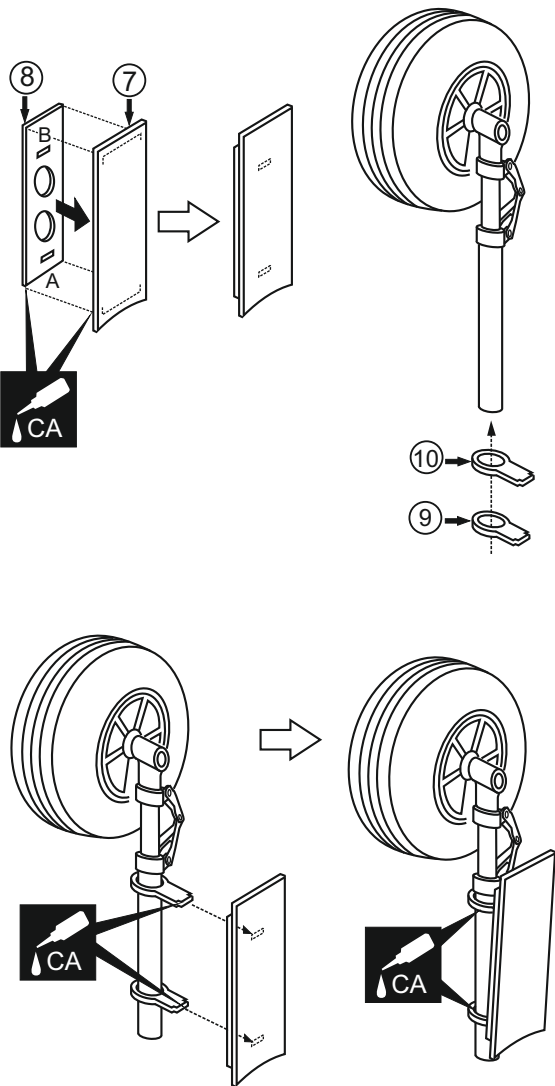
1- Fixed gear



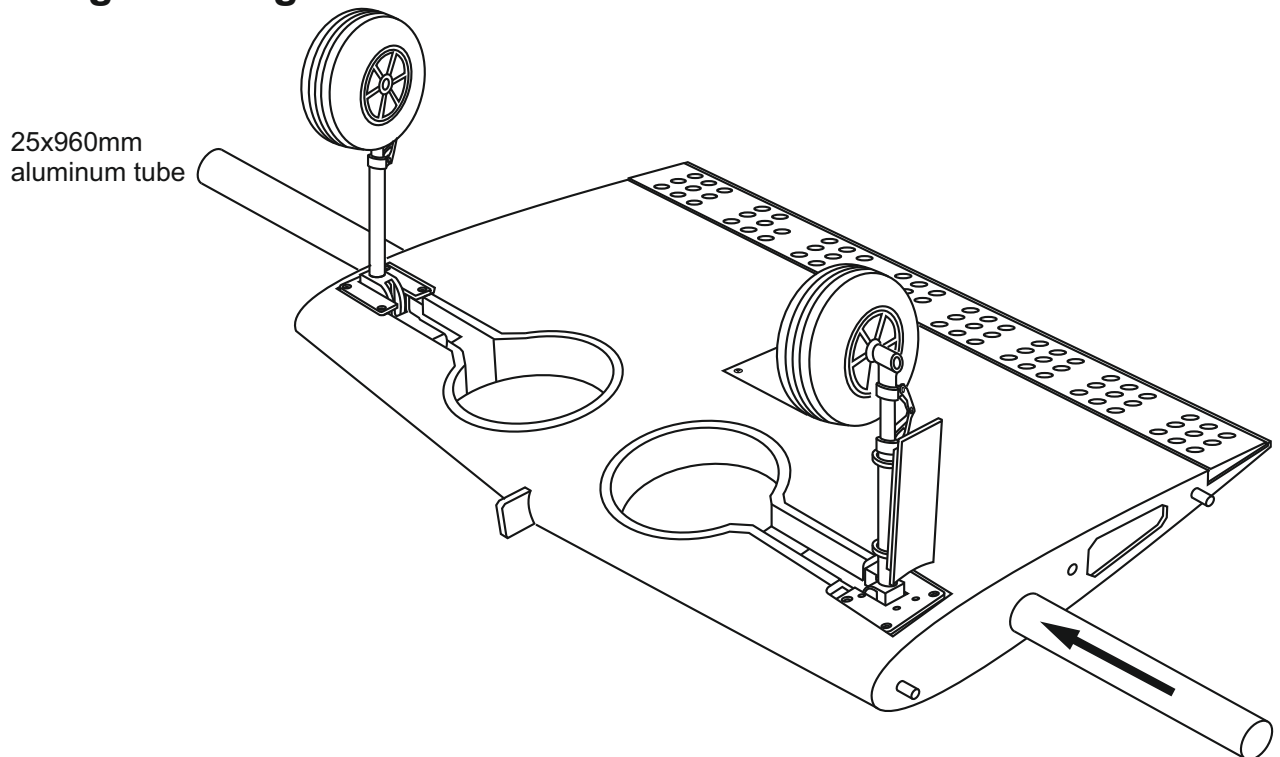
2- Electric retract



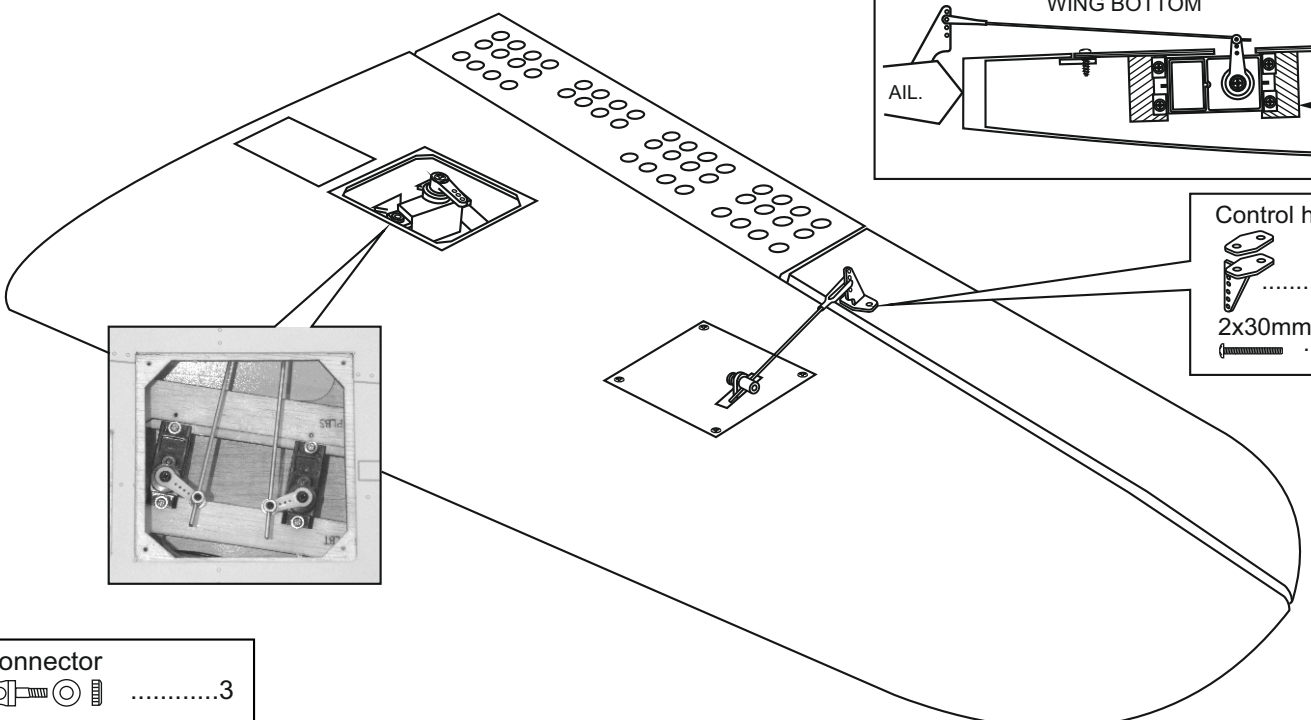
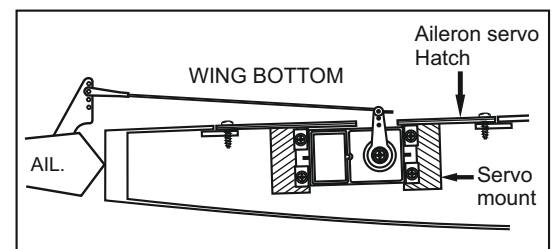
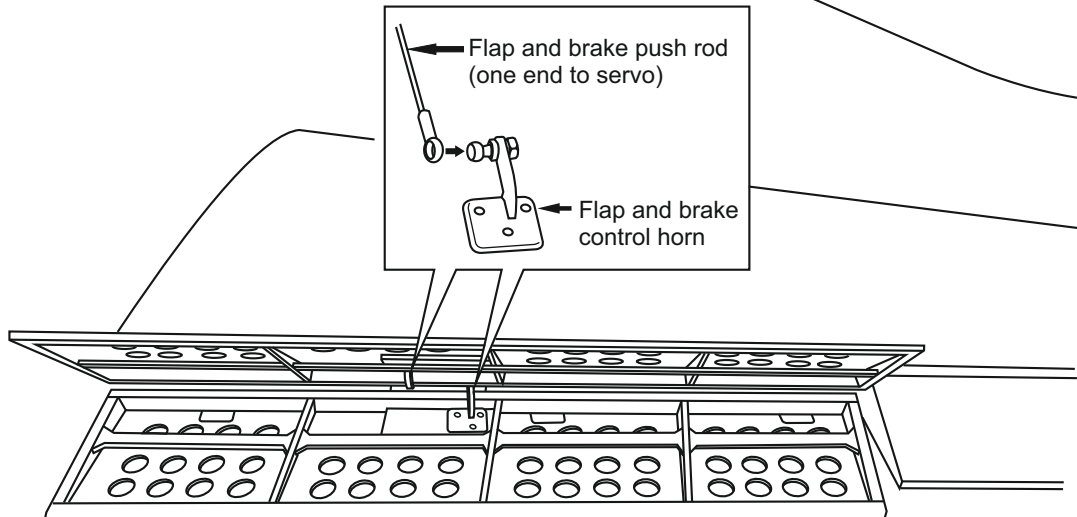
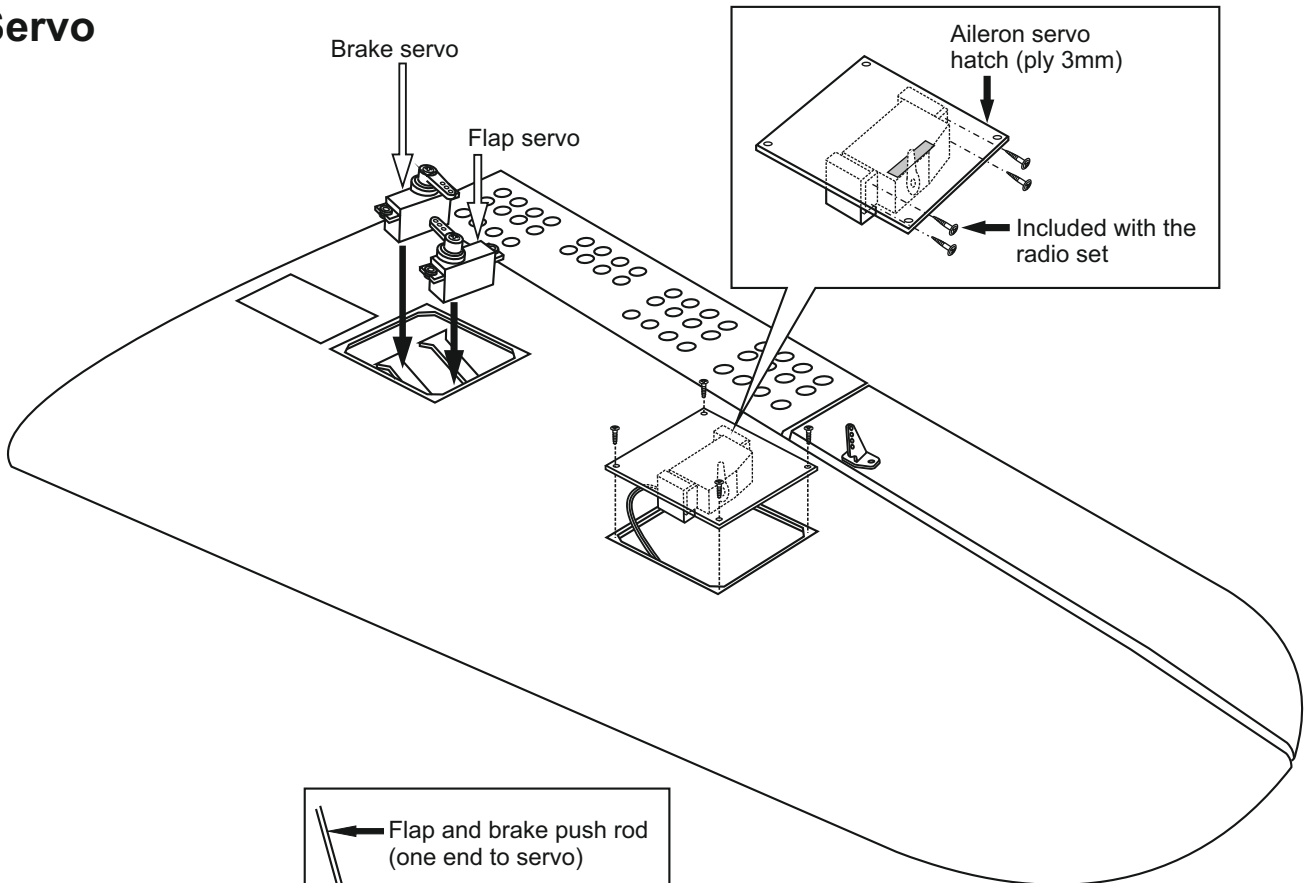
3- Cover





4- Joining the wing




5- Servo

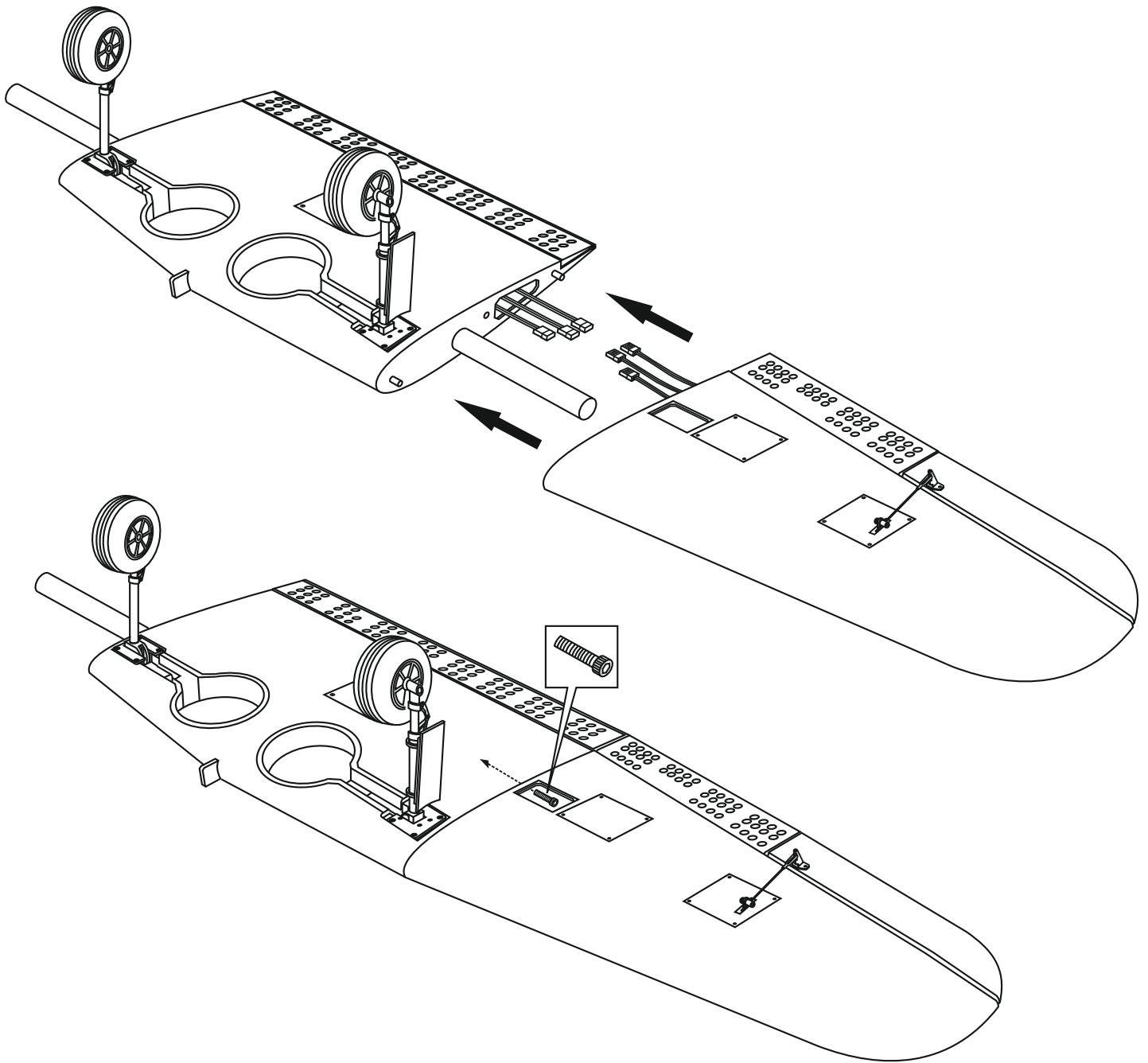


- Control horn
-  2
 - 2x30mm 4

- Connector
-  3

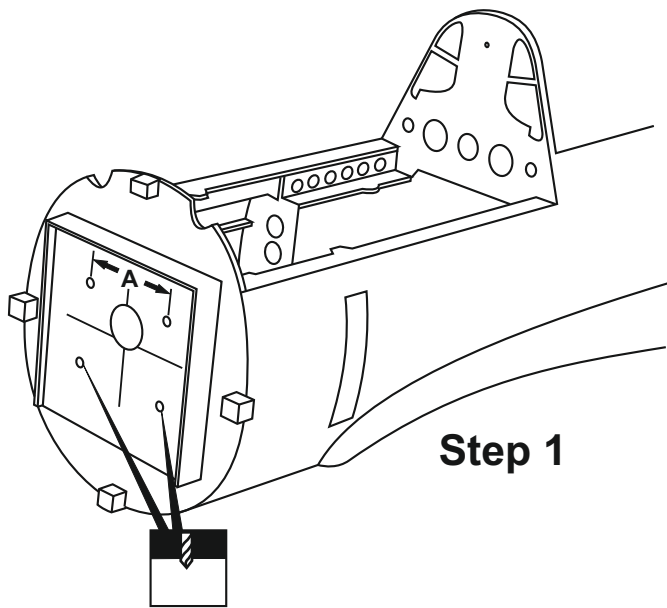
6- Joining the wing

2
5x20mm screws

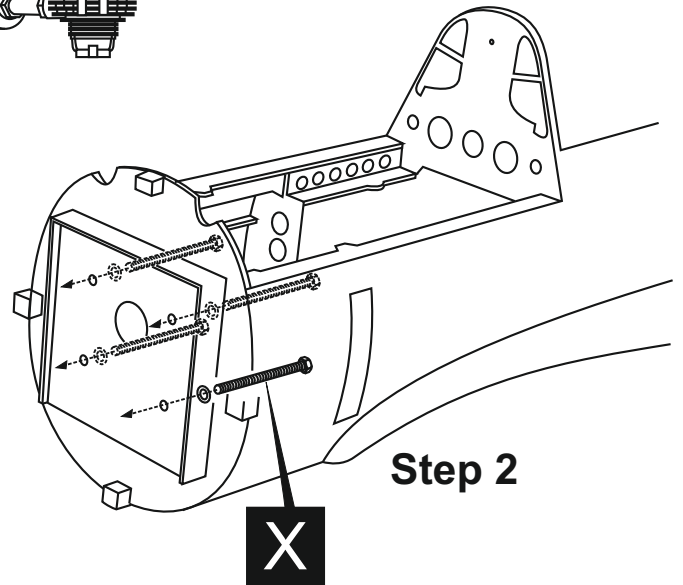
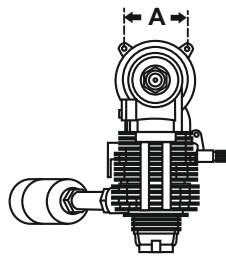


7- Engine

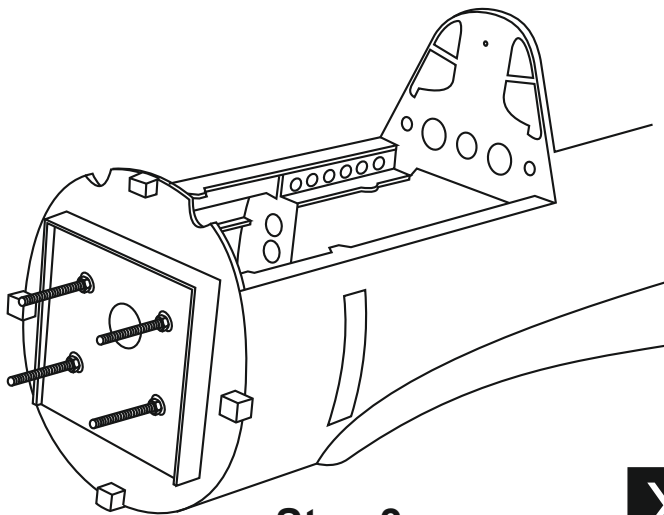
Note: Remove the magnetic canopy Hatch first.



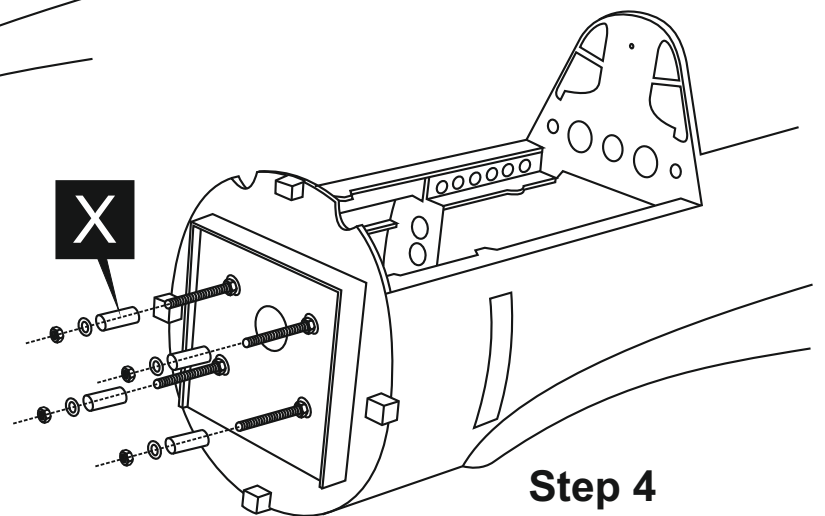
Step 1



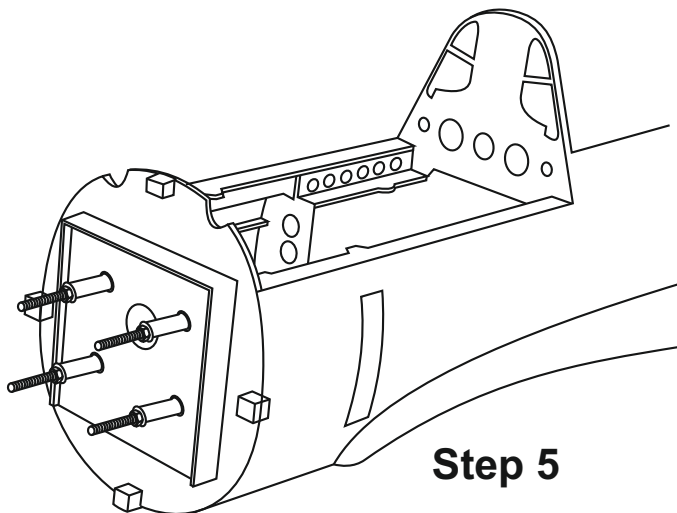
Step 2



Step 3

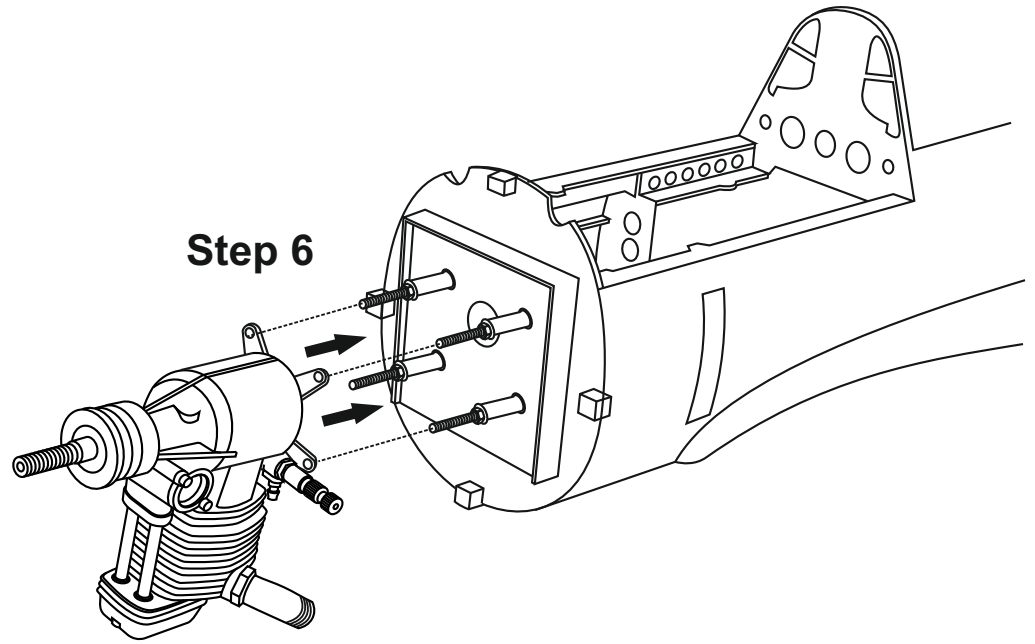


Step 4

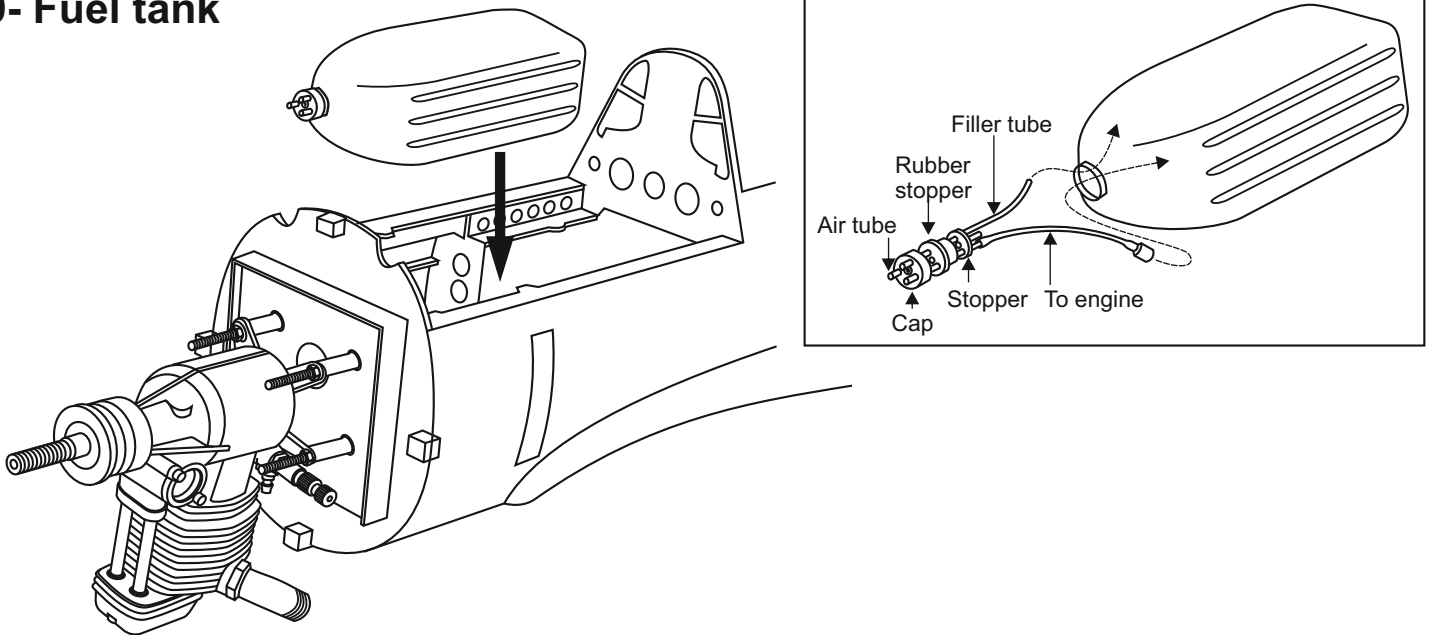


Step 5

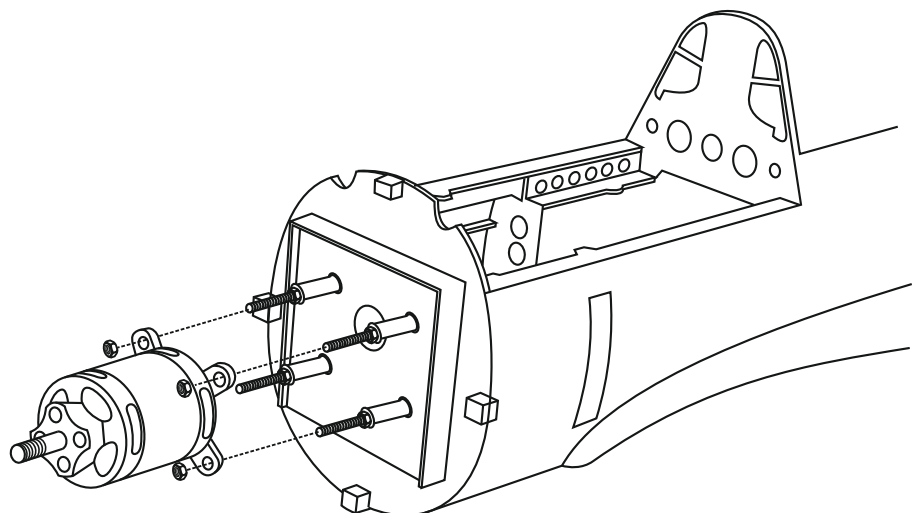
8- Engine



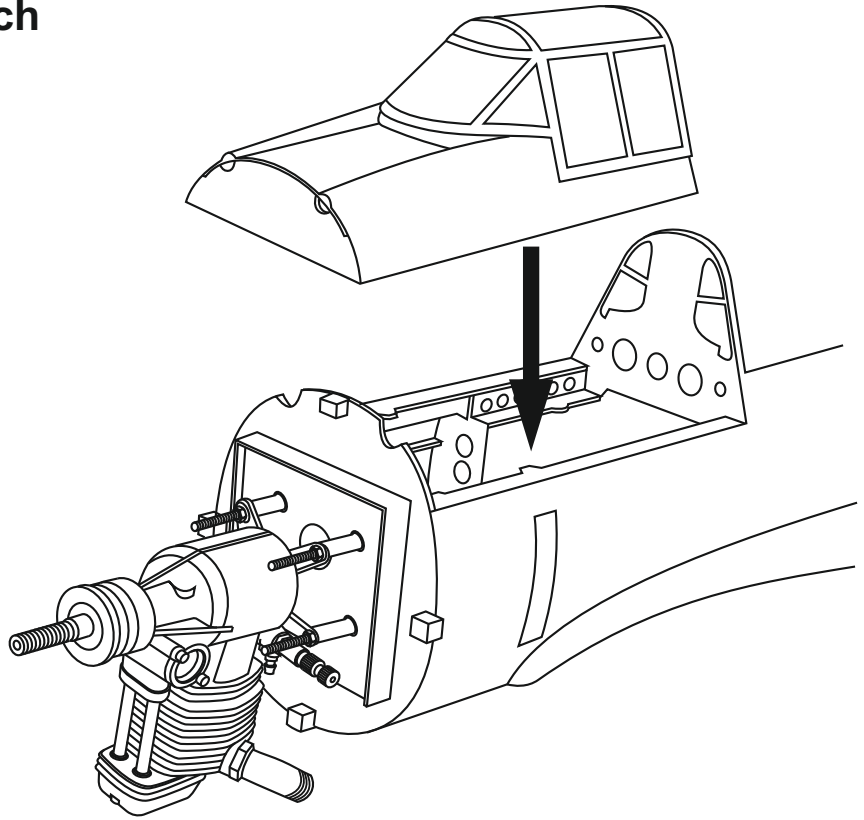
9- Fuel tank



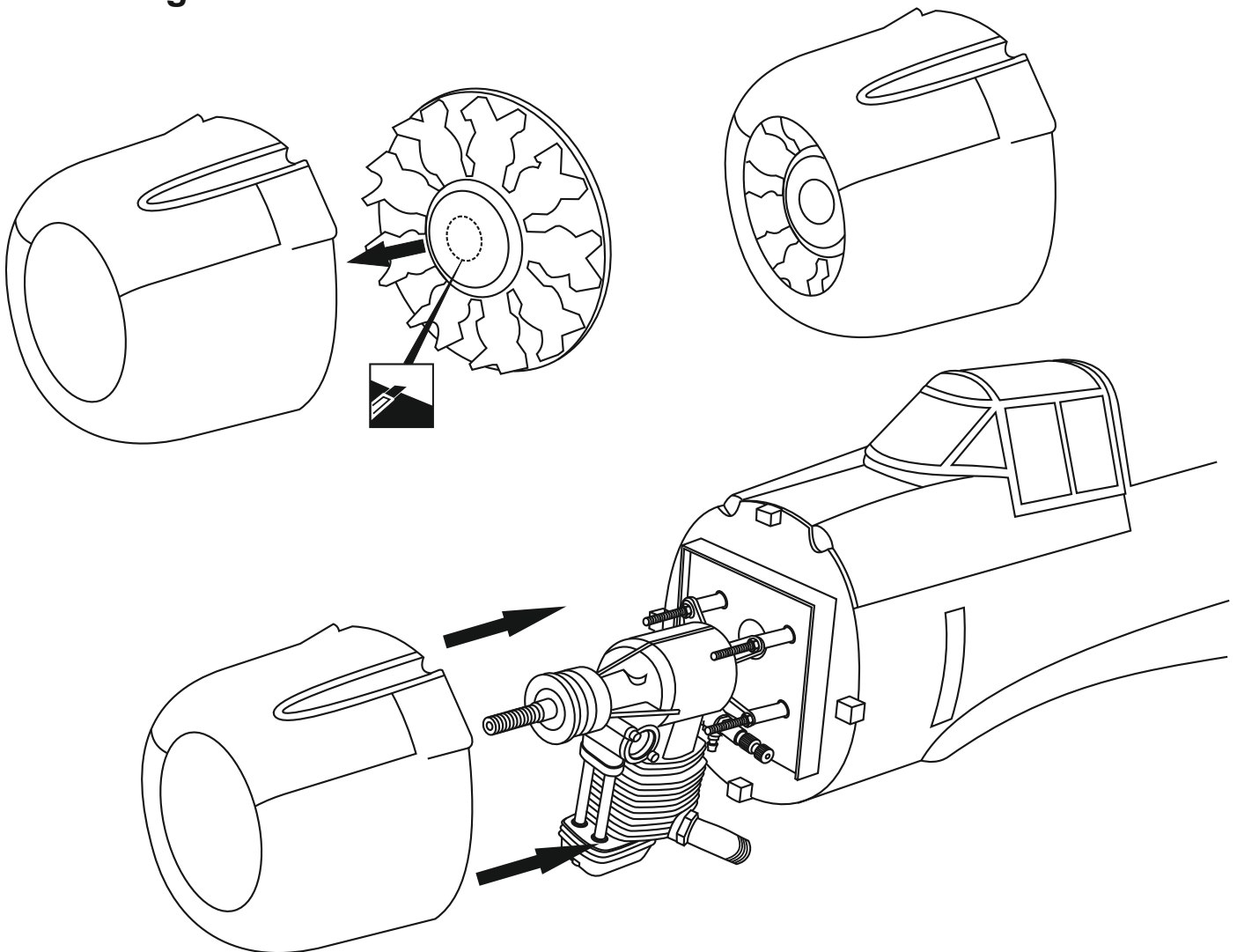
10- Electric Motor



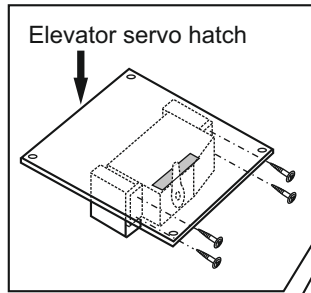
11- Magnetic canopy hatch



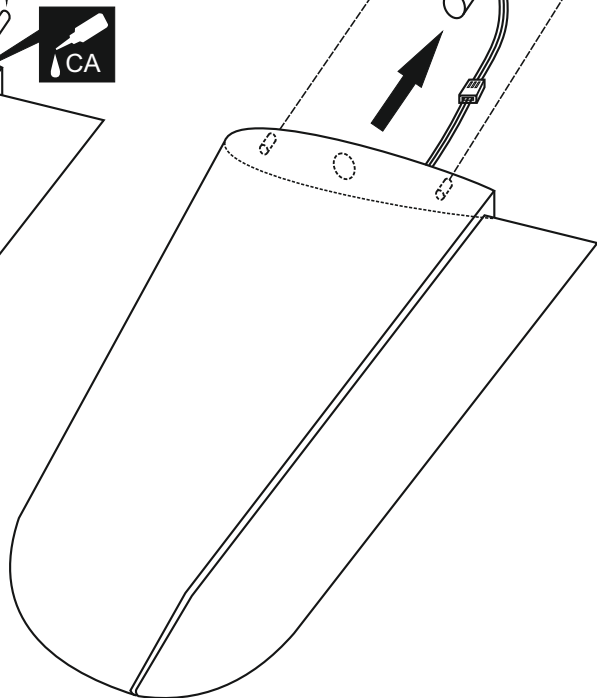
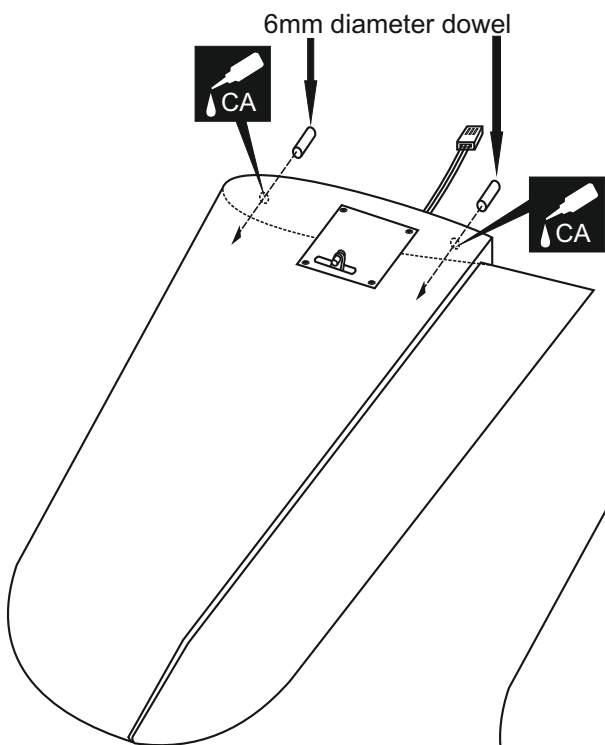
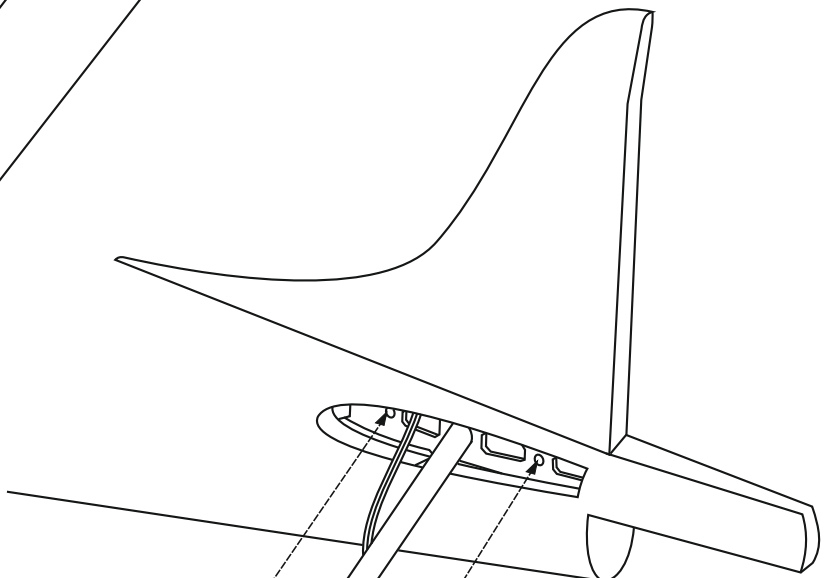
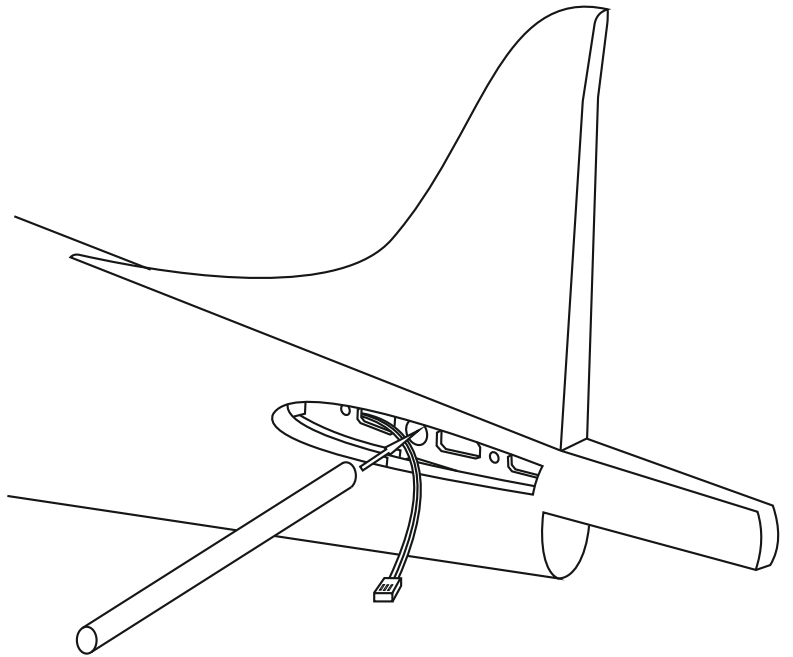
12- Cowling



13- Horizontal stabilizer

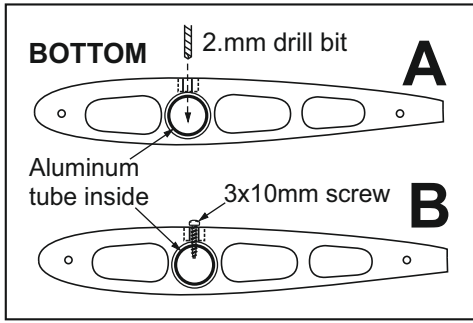



HORIZONTAL STABILIZER
(Bottom-view)



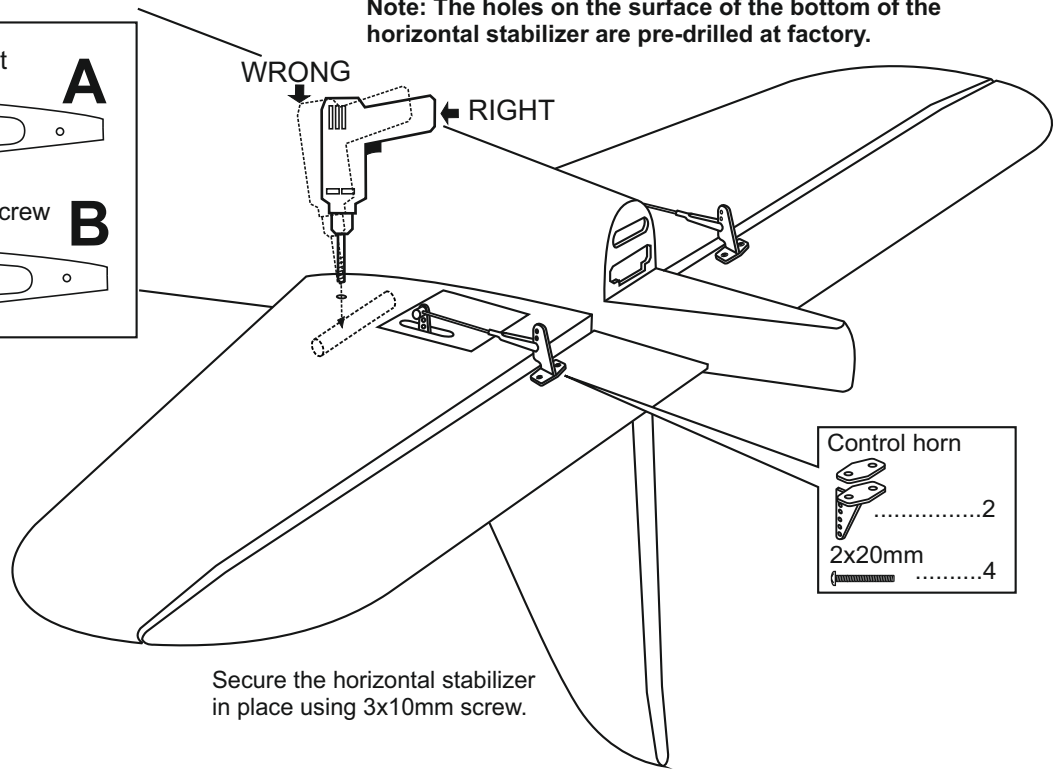
14- Horizontal stabilizer

Note: The holes on the surface of the bottom of the horizontal stabilizer are pre-drilled at factory.



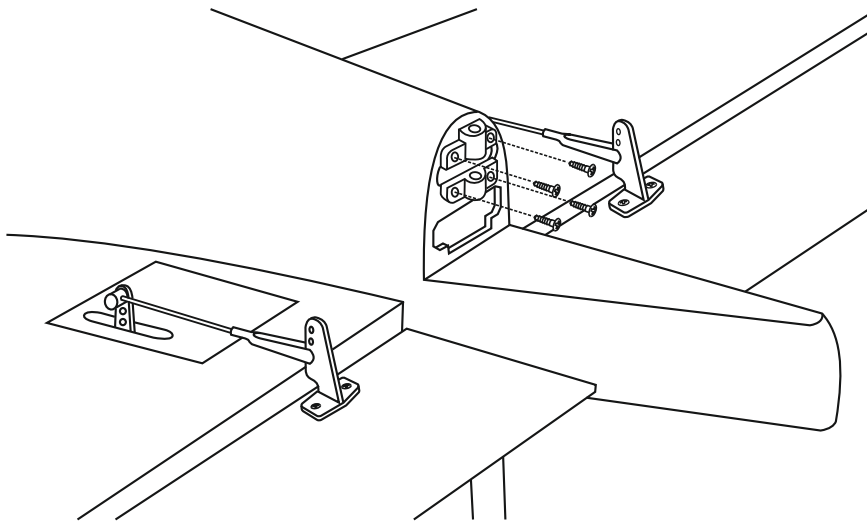
3x10mm screw
2

Connector
2

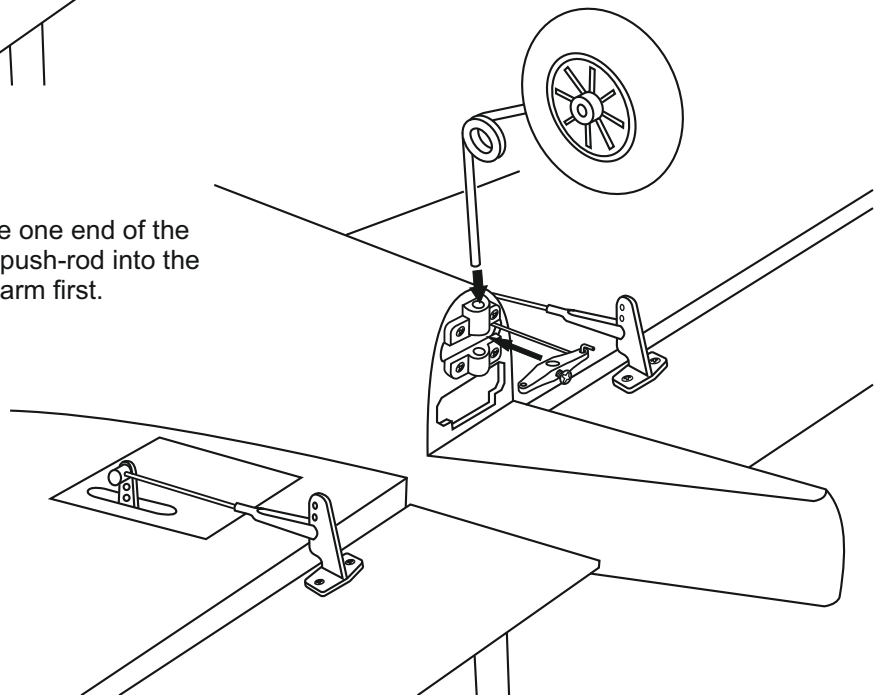


Secure the horizontal stabilizer in place using 3x10mm screw.

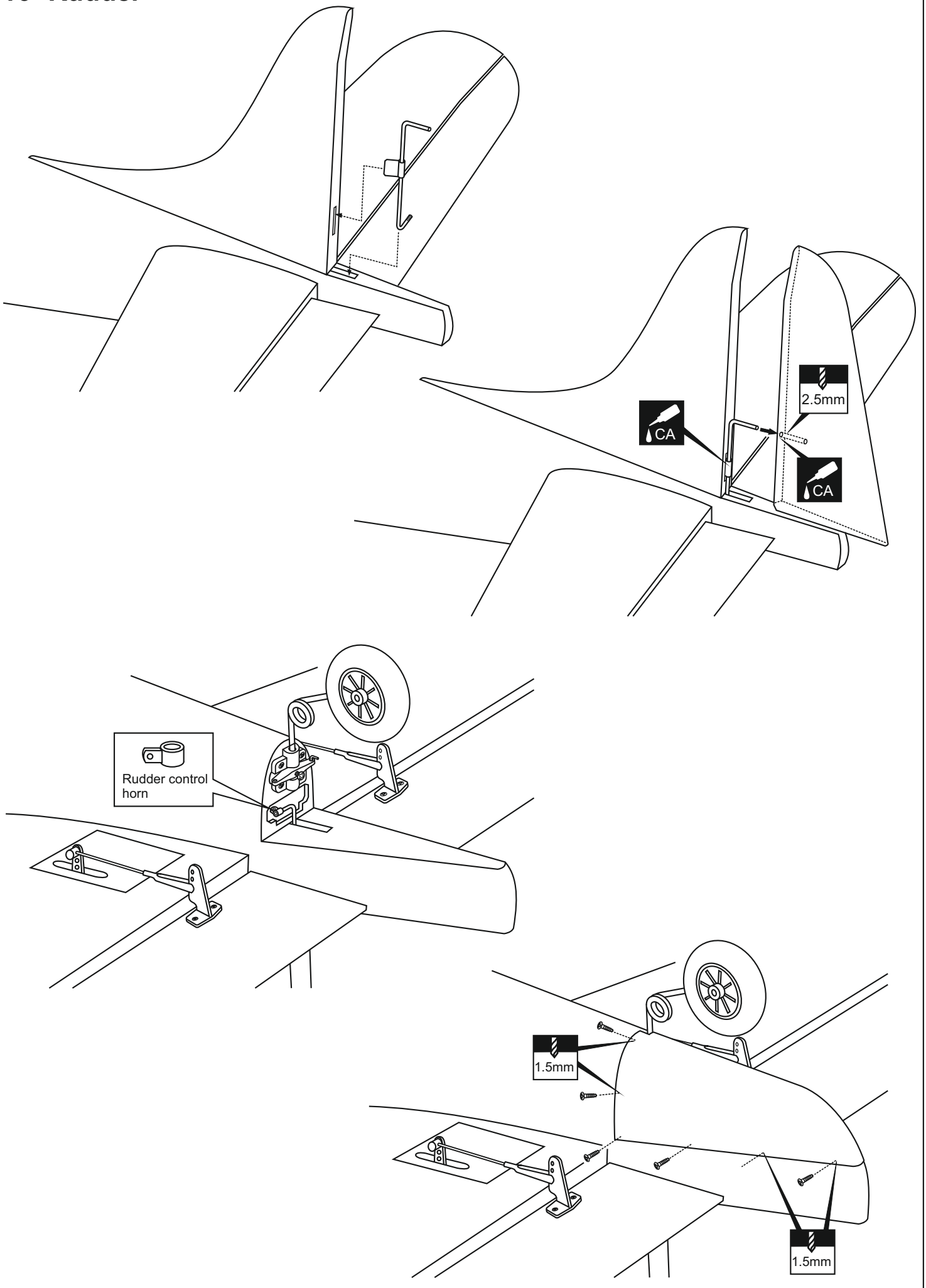
15- Tail wheel



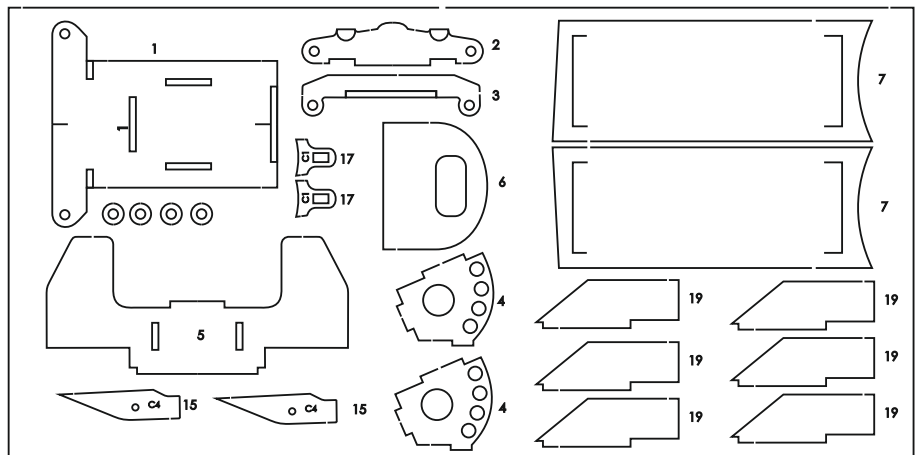
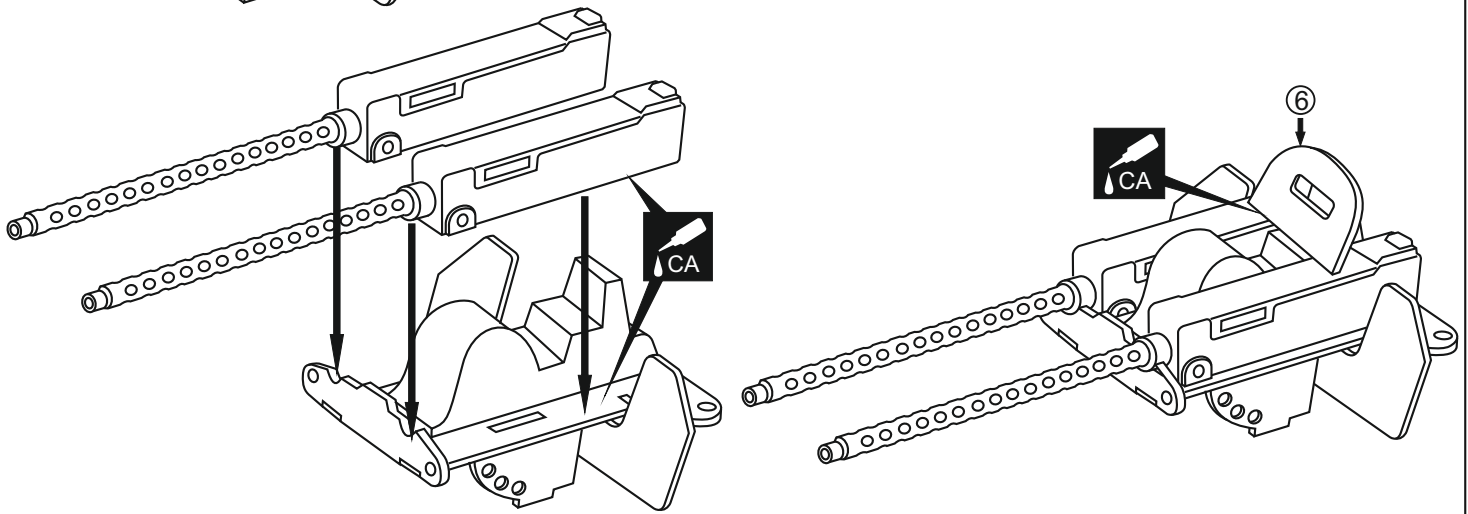
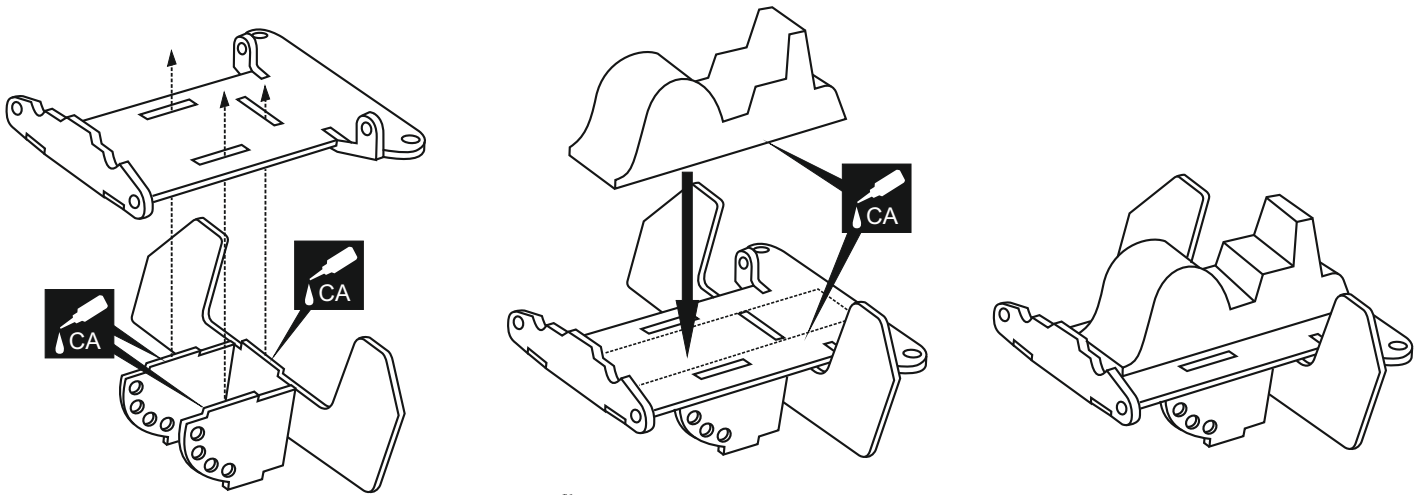
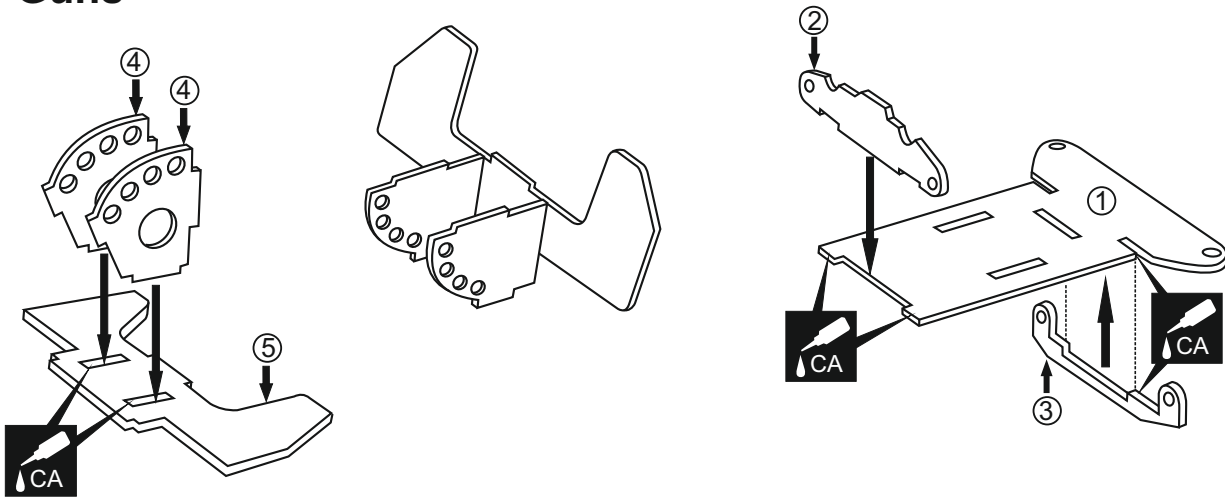
Note: Slide one end of the tail wheel push-rod into the tail wheel arm first.



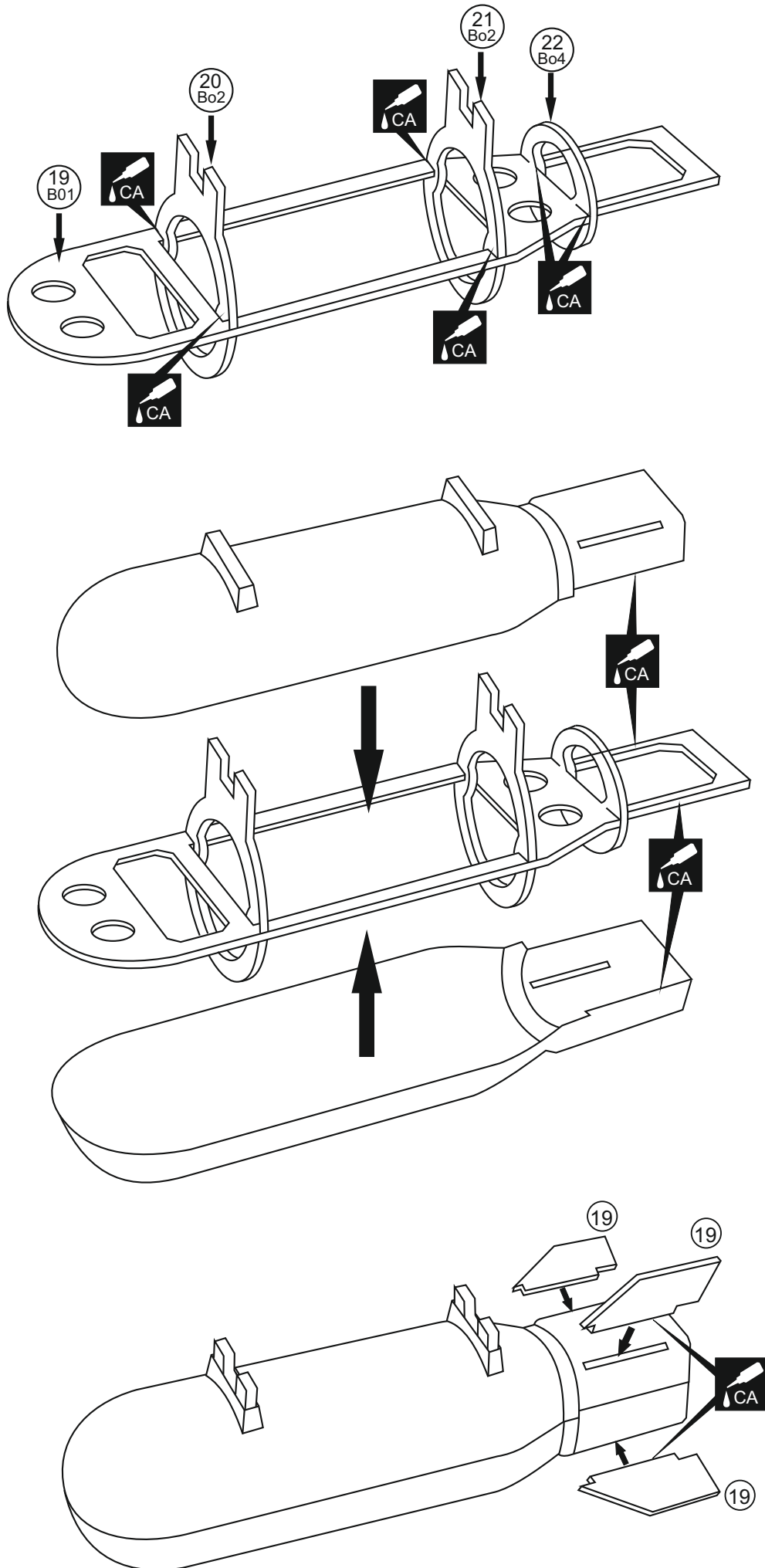
16- Rudder



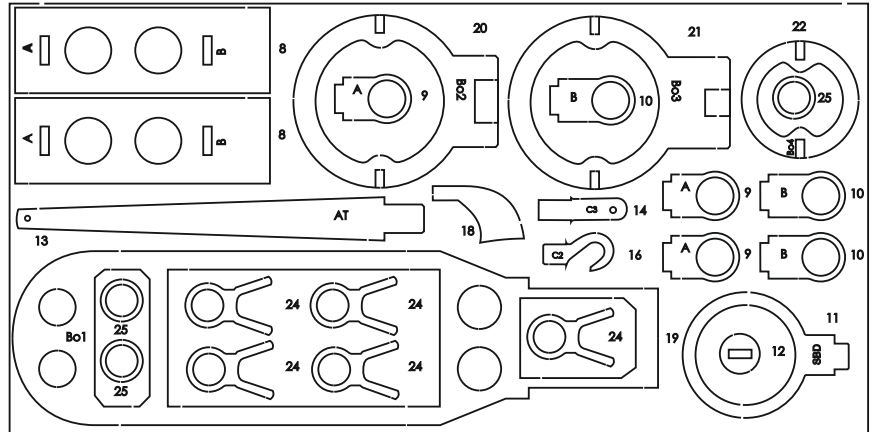
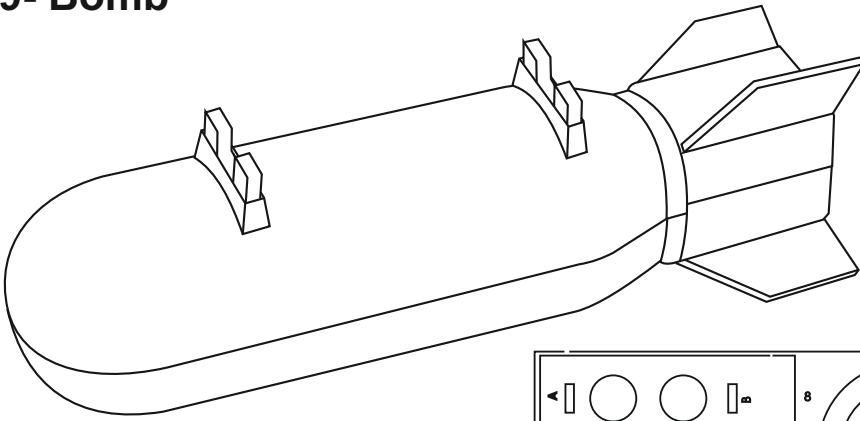
17- Guns



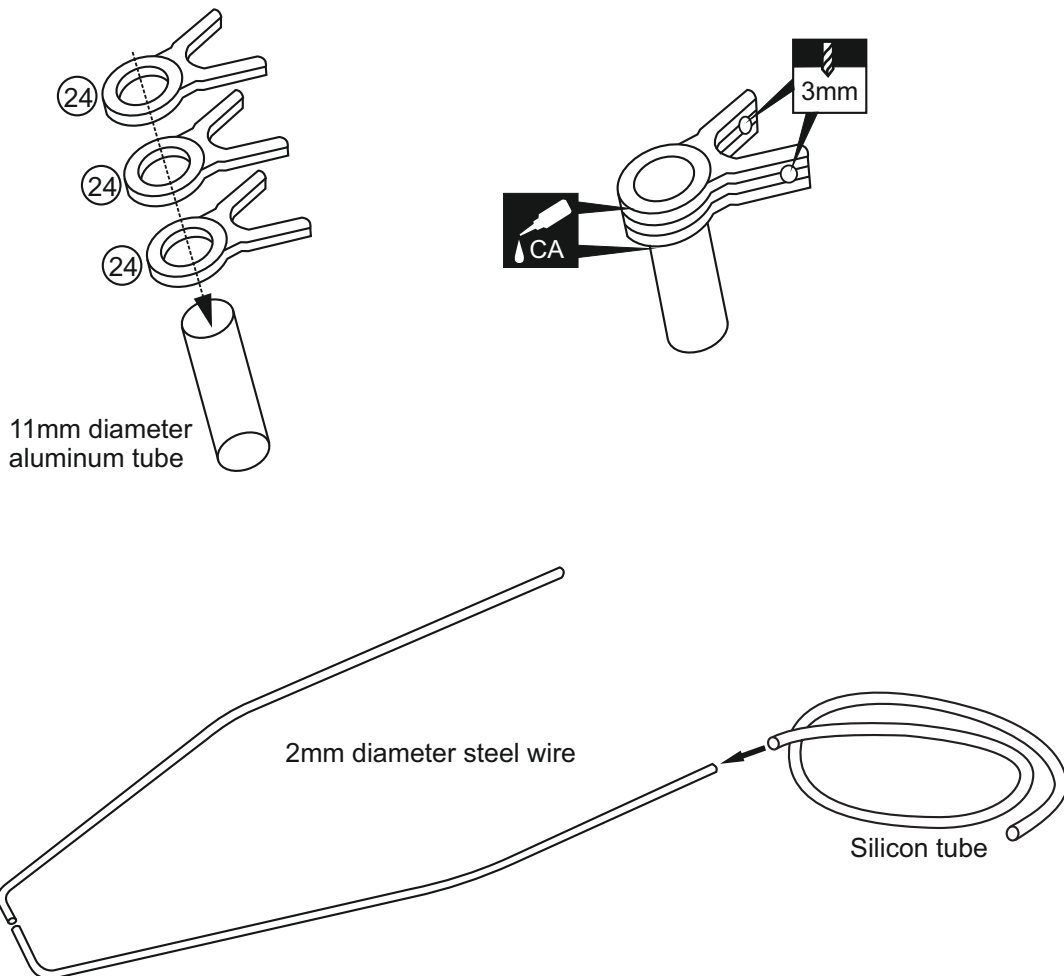
18- Bomb



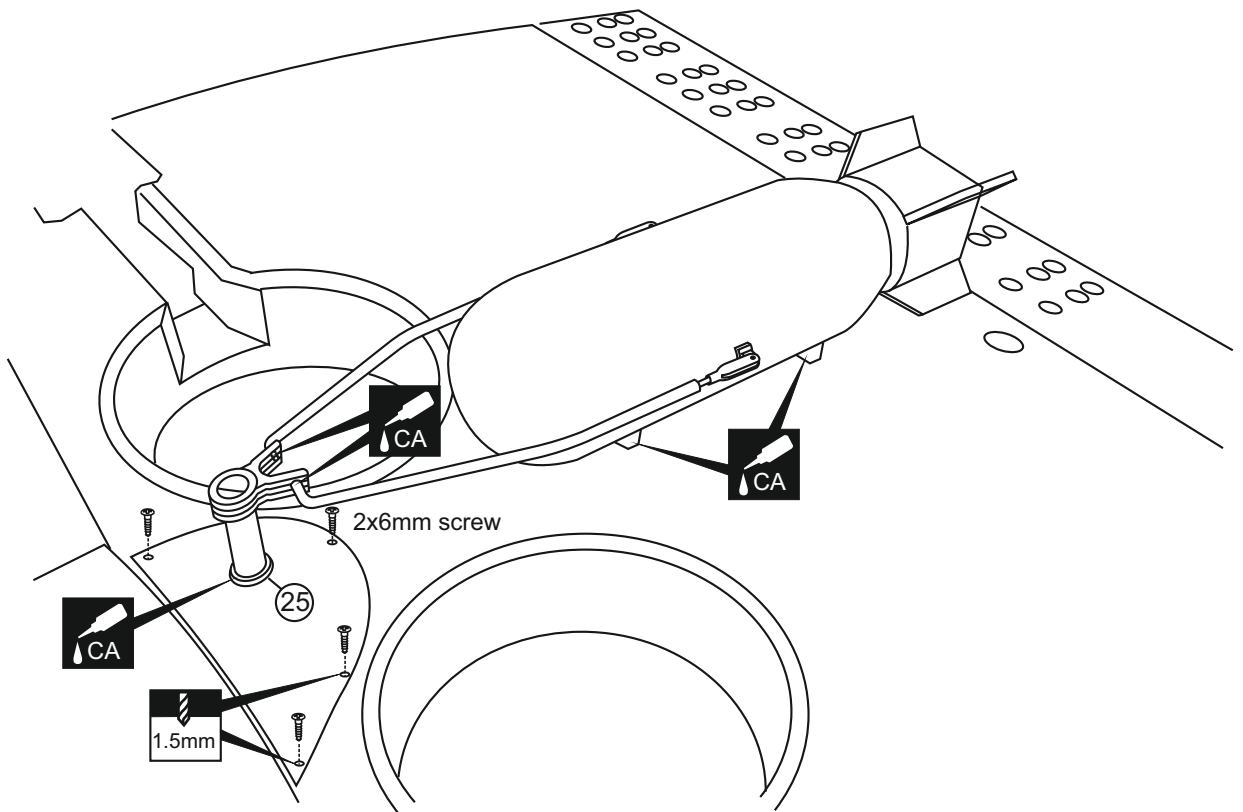
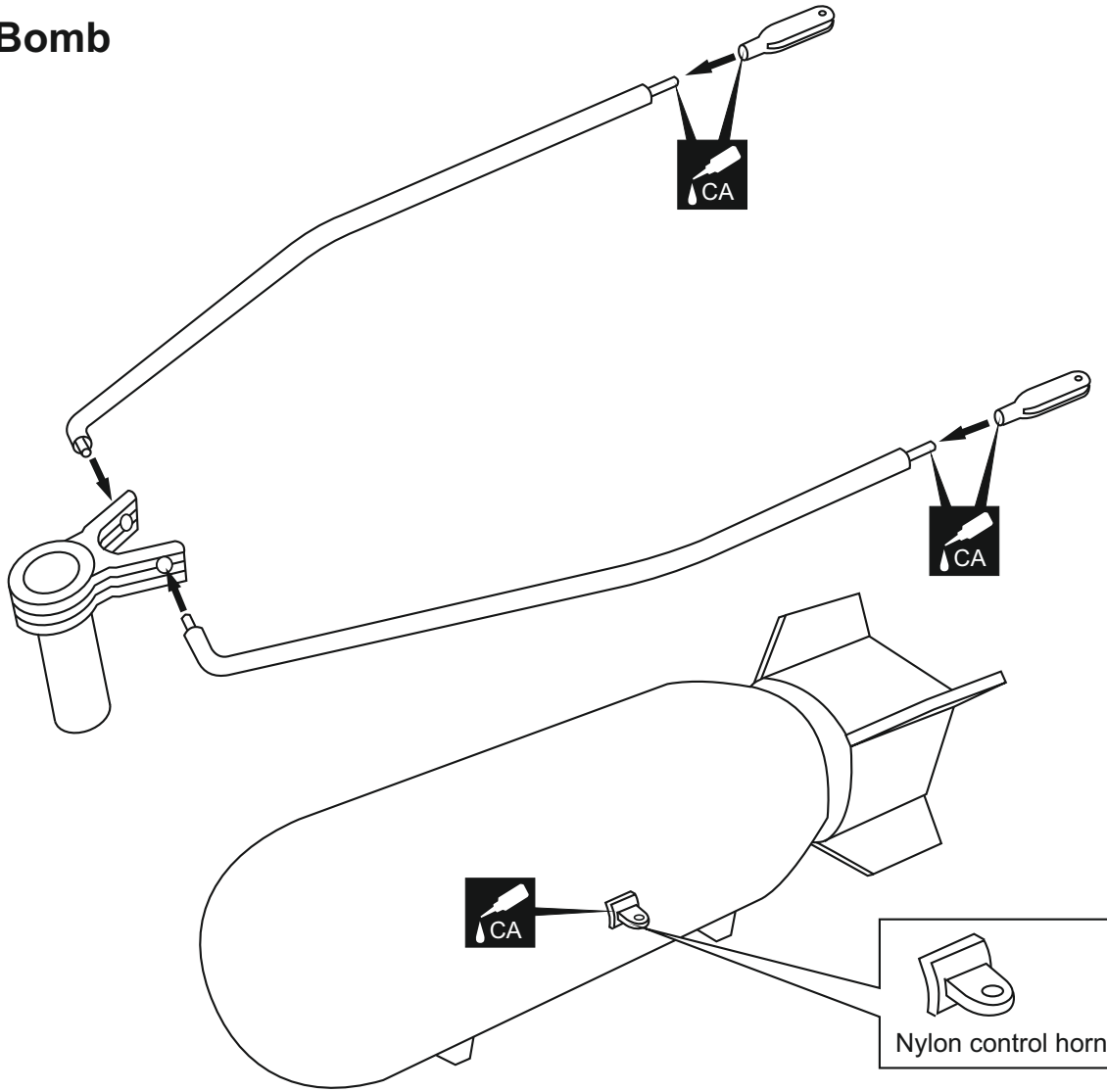
19- Bomb



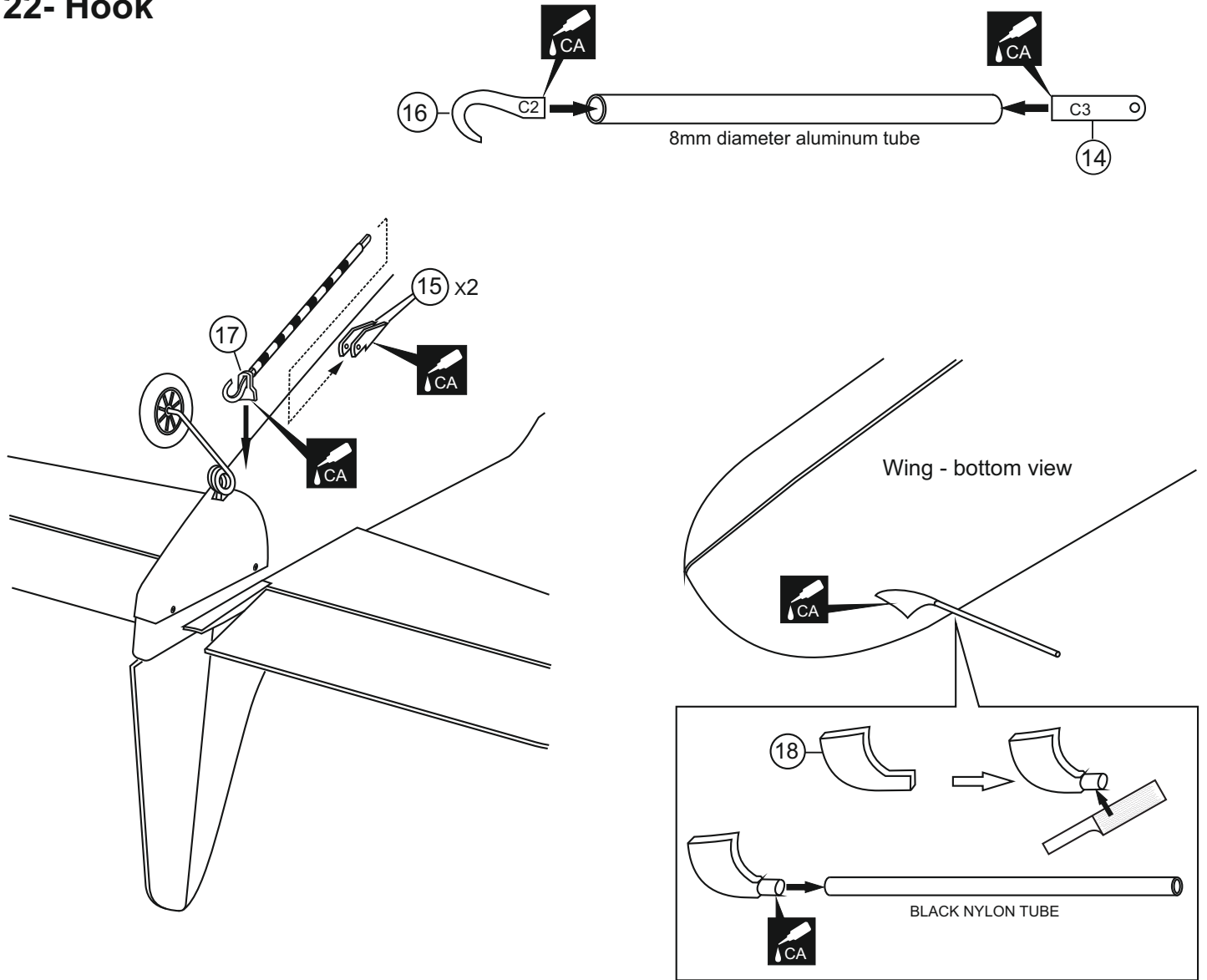
20- Bomb



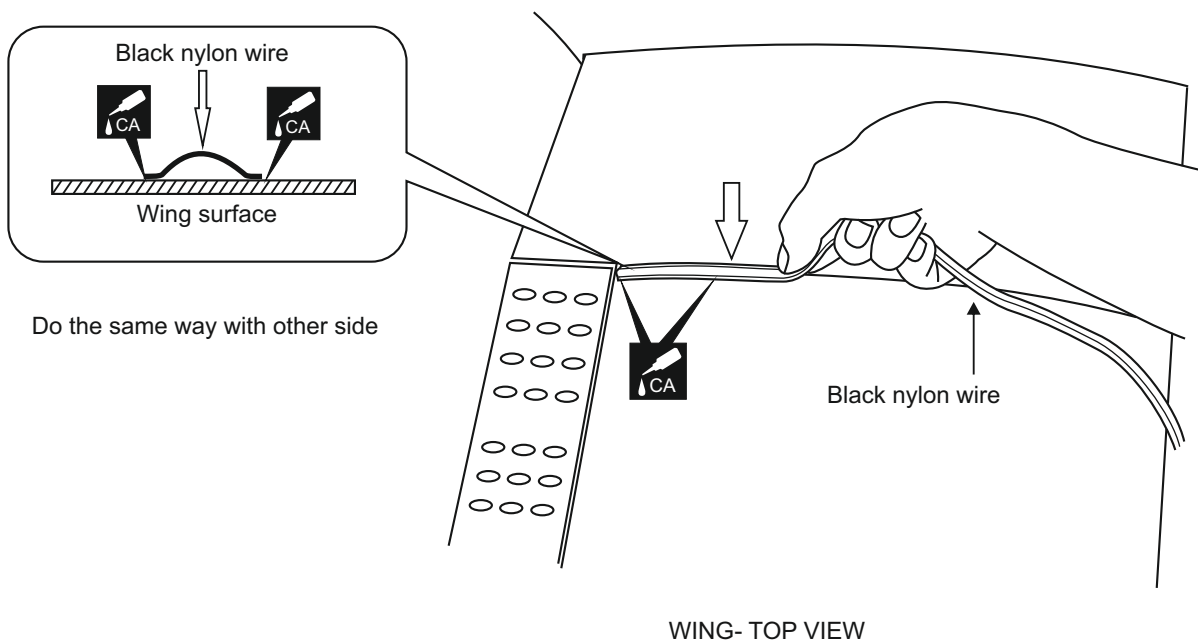
21- Bomb



22- Hook

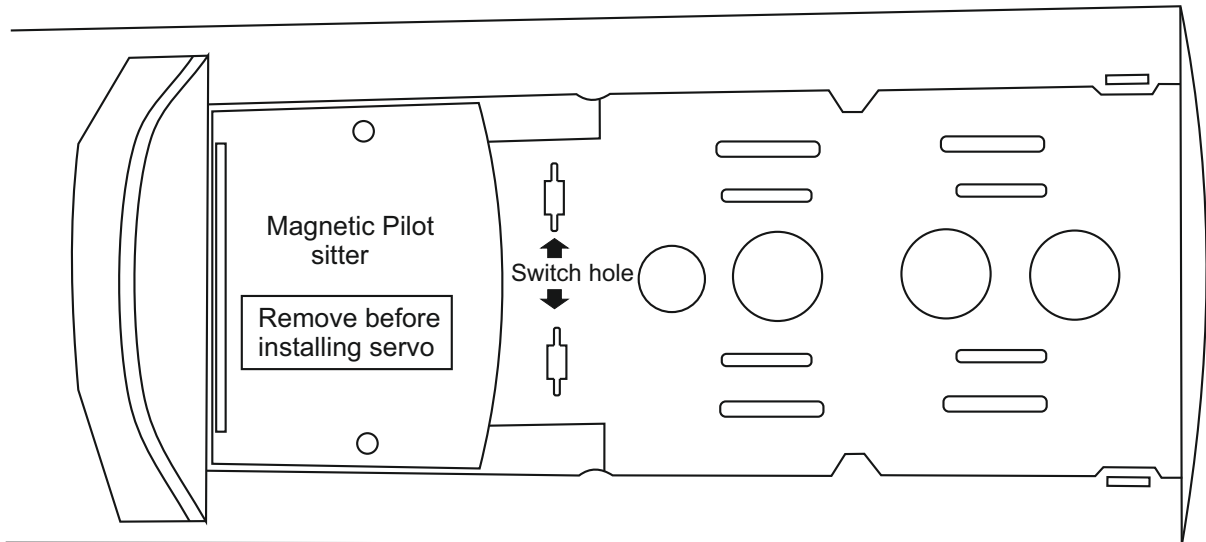


23- Decor

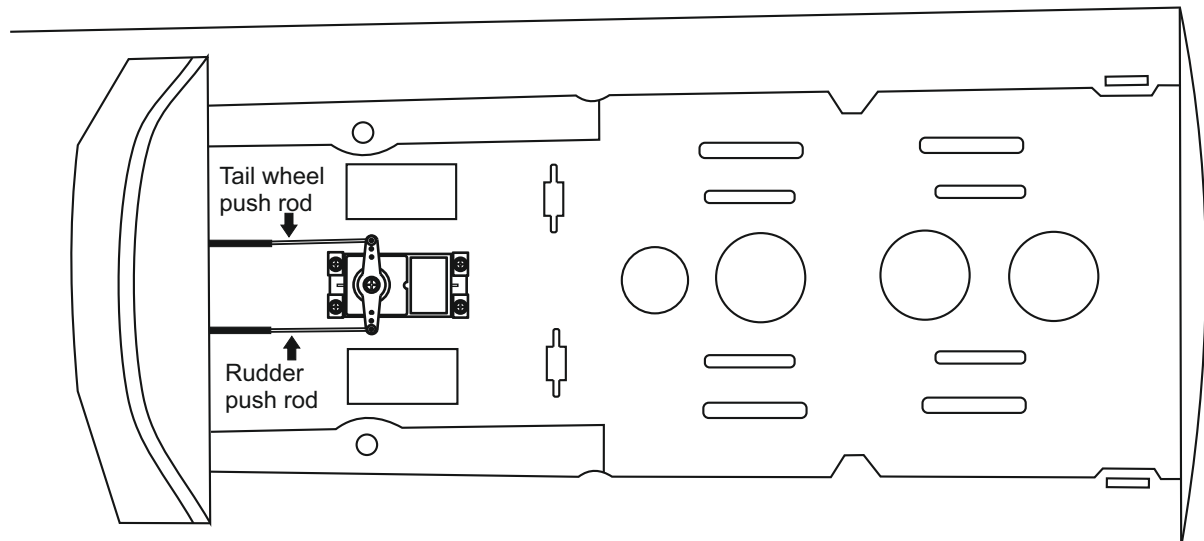


24- Rudder servo

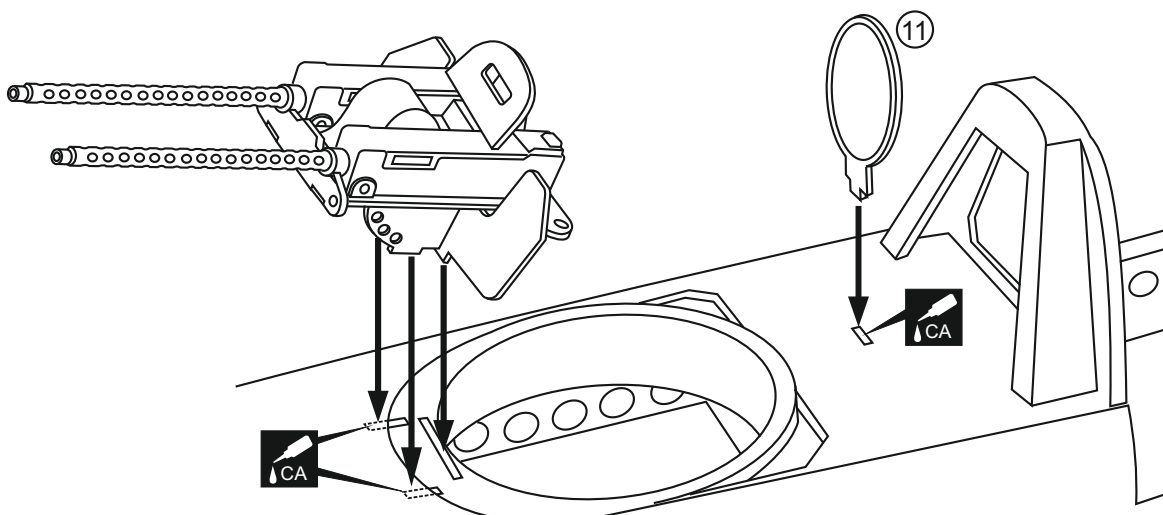
Connector 2



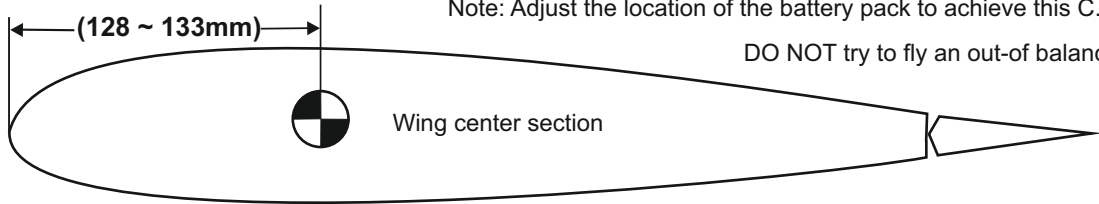
FUSELAGE TOP-VIEW



25- Guns - Antenna



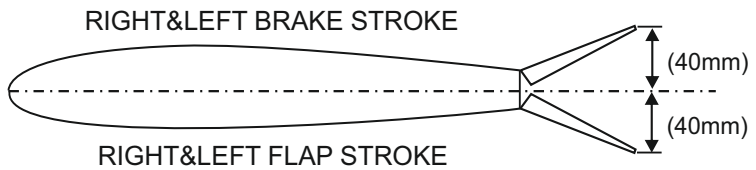
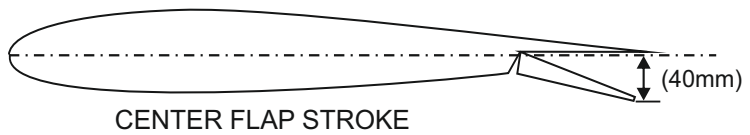
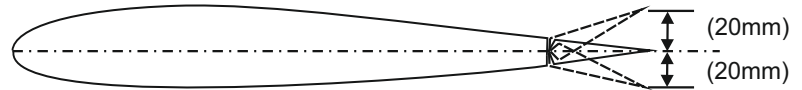
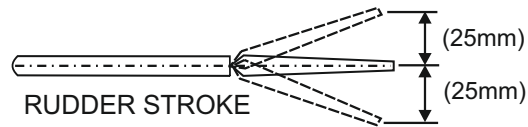
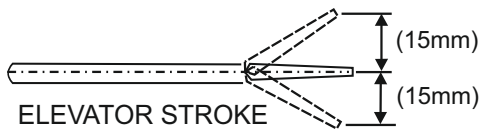
26- Balance



Note: Adjust the location of the battery pack to achieve this C.G location.

DO NOT try to fly an out-of balance model!

27- Control surface



Adjust the travel of the control surfaces to achieve the values stated in the diagrams.

These value will be suitable for average flight requirements. Adjust the values to suit your particular needs.

IMPORTANT: Please do not clean your model with strong solvent or pure alcohol, only use kerosene to keep the colour of your model not fade.